

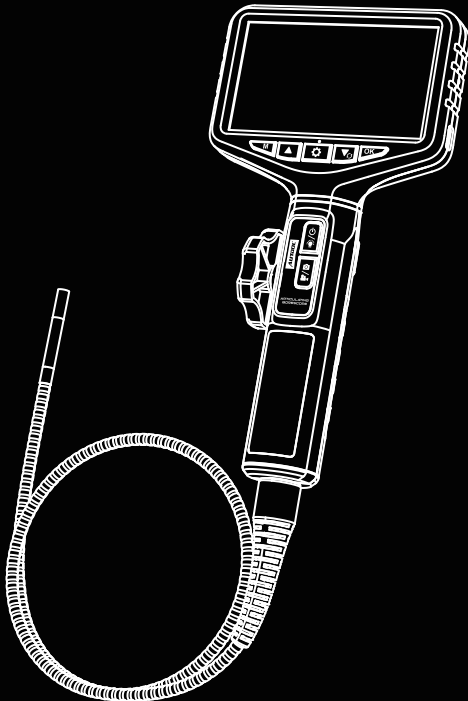
AUTOOL[®]

AUTOOL SVB305

Articulating Video Borescope

User Manual

用户手册



www.autooltech.com



深圳市偶然科技有限公司

广东省深圳市宝安区航城锦驰产业园

📍 Hangcheng Jinchí Industrial Park, Bao'an, Shenzhen, China

🌐 www.autooltech.com

✉ aftersale@autooltech.com

☎ +86-755-2330 4822 / +86-400 032 0988

执行标准 / Execution standard: JB/T 11130-2011



COPYRIGHT INFORMATION

Copyright

- All rights reserved by AUTOOL TECH. CO., LTD. No part of this publication may be reproduced, stored in a retrieval system, or transmitted in any form or by any means, electronic, mechanical, photocopying, recording or otherwise, without the prior written permission of AUTOOL. The information contained herein is designed only for the use of this unit. AUTOOL is not responsible for any use of this information as applied to other units.
 - Neither AUTOOL nor its affiliates shall be liable to the purchaser of this unit or third parties for damages, losses, costs, or expenses incurred by the purchaser or third parties as a result of: accident, misuse, or abuse of this unit, or unauthorized modifications, repairs, or alterations to this unit, or failure to strictly comply with AUTOOL operating and maintenance instructions.
 - AUTOOL shall not be liable for any damages or problems arising from the use of any options or any consumable products other than those designated as original AUTOOL products or AUTOOL approved products by AUTOOL.
 - Other product names used herein are for identification purposes only and may be trademarks of their respective owners. AUTOOL disclaims any and all rights in those marks.
-

Trademark

Manual are either trademarks, registered trademarks, service marks, domain names, logos, company names or are otherwise the property of AUTOOL or its affiliates. In countries where any of the AUTOOL trademarks, service marks, domain names, logos and company names are not registered, AUTOOL claims other rights associated with unregistered trademarks, service marks, domain names, logos, and company names. Other products or company names referred to in this manual may be trademarks of their respective owners. You may not use any trademark, service mark, domain name, logo, or company name of AUTOOL or any third party without permission from the owner of the applicable trademark, service mark, domain name, logo, or company name. You may contact AUTOOL by visiting AUTOOL at <https://www.autooltech.com>, or writing to aftersale@autooltech.com, to request written permission to use materials on this manual for purposes or for all other questions relating to this manual.

CAUTIONS

Warning



Before using the articulating borescope, please pay attention to the following operations:

- ▶ Please do not use this camera to connect to other manufacturers' hosts without authorization, even if their interfaces are the same;
- ▶ Do not use this product in some areas where live cables or charged objects may be contacted. Exposed metal parts can conduct electricity, which may cause danger;
- ▶ Do not let children operate the product;
- ▶ This product is prohibited from being used for medical treatment or human body testing;
- ▶ Please keep the product clean, avoid exposure to the sun, or direct contact with water, oil and corrosive liquids;
- ▶ The product is not waterproof;
It is forbidden to twist or pull the bending body at the front end of the hose;
- ▶ Please handle with care. Do not bend the hose excessively.
- ▶ The bending limit of the hose is one circle.

TABLE OF CONTENTS

Product Introduction	2
Operating principle	2
Operating Environment & Technical Indicators	2
Product Structure	3
Structure diagram.....	3
Operations Instruction	4
Operation Guide.....	4
Tips & help	5
Fault Report	5
Maintenance Service	6
Maintenance.....	6
Warranty	7
Warranty access.....	7
Disclaimer	7
Return & Exchange Service	8
Return & Exchange.....	8

PRODUCT INTRODUCTION

Operating principle

SVB305 Articulating Borescope is the latest professional product launched by AUTOOL for the global automotive market, which is specially used to detect narrow and bending spaces that are difficult to enter, such as auto evaporator, combustion chamber, three-way catalytic, etc.

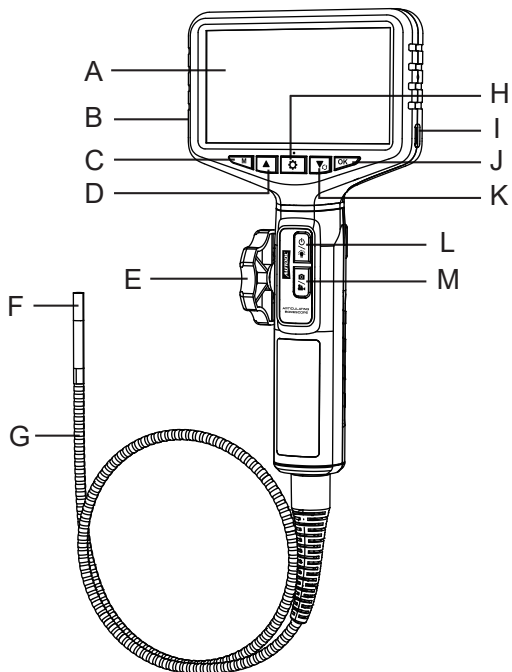
The product has a steering detection function, and has a unique high-temperature alarm function, which makes it convenient for users to penetrate the small probe into the narrow space, and then transfer the vivid, clear and omnidirectional video and pictures to the 5 inch display to meet your various detection needs.

Operating environment & Technical indicators

Camera Diameter	6.35mm
Pixel	2000K
Depth of Field	20-100mm
Viewing Angle	70°
Manual Dimming	Three-level dimming
Input Power	DC 5V
Service time	3hr
Battery Capacity	3000mAh
Camera Light Source	6 kinds of LED lights
Waterproof Level	IP67
Hose Material	Flexible metal hose
Hose Length	1m
High Temperature Protection	Intelligent protection
Steering Direction	Two-way
Steering Angle	Max.210°
Bending Radius	35mm
Operating Environment	-10~80°C
Humidity	15-90%

PRODUCT STRUCTURE

Structure diagram



A	Display	B	SD Interface
C	M	D	Up
E	Steering Wheel	F	Megapixel HD Camera
G	Flexible Hose	H	Settings
I	Charging Port	J	OK
K	Down/Toggle	L	Power On/Light Control
M	Photo/Video		

OPERATIONS INSTRUCTION

Operation Guide

- **Power on/off:**
Long press the power key (H) for two seconds, and the blue indicator light on the display indicates that the power on is successful. Long press the power key (H) again for two seconds to power off.
- **Light Control:**
After powering on, press the light control key (H) to adjust the light, and the brightness is adjusted to 3 levels. The machine defaults to the brightest light when it is powered on.
- **Photo/Video:**
After powering on, press the photo/video key (I) to take pictures, and long press for 2 seconds to record.
Image playback: After powering on, press the M key to start the image playback function, use the up and down keys to find the desired picture or video, and short press the OK key to playback the video.
- **Time/Date:**
After powering on, press the setting key twice to switch to the setting interface, scroll down to select the date/time, and adjust to the required time with the up and down keys (confirm the required time with the OK key).
- **Date tag:**
The date tag is turned on by default. After turning it on, the date and time will be automatically displayed in the lower right corner of the photos and videos you take.
- **Recording and sound:**
SVB305 has a built-in sound recorder and speaker, which will automatically record the sound when you record video, and will have audio when you play back the recorded video.
- **Charging:**
Please use 5V adapter or mobile power to connect Type-C/USB cable for charging. The charging voltage and current are 5V/1A. If the voltage is too high, the product may be burnt out. Please note that this product does not support fast charging.

TIPS & HELP

Fault Report

Fault Phenomenon	Cause Analysis	Troubleshooting
Power fail	Battery Loss	Charge the borescope
Automatic shut-down	Low battery or automatic shutdown is set.	Charge the borescope and turn off the automatic shutdown setting
SD Error	SD is not installed well	Reinstall the SD
Charge fail	The charging port is dirty or the charging cable is damaged	Replace the charging cable
Image Blur	The lens is dirty	Wipe the lens clean with a cleaning cloth
SD Recording Fail	Insufficient SD capacity	Replace SD or clean-up files

MAINTENANCE SERVICE

Our products are made of long-lasting and durable materials, and we insist on perfect production process. Each product leaves the factory after 35 procedures and 12 times of testing and inspection work, which ensures that each product has excellent quality and performance.

Maintenance To maintain the performance and appearance of the product, it is recommended that the following product care guidelines be read carefully:

- Be careful not to rub the product against rough surfaces or wear the product, especially the sheet metal housing.
- Please regularly check the product parts that need to be tightened and connected. If found loose, please tighten it in time to ensure the safe operation of the equipment. The external and internal parts of the equipment in contact with various chemical media should be frequently treated with anti-corrosion treatment such as rust removal and painting to improve the corrosion resistance of the equipment and extend its service life.
- Comply with the safe operating procedures and do not overload the equipment. The safety guards of the products are complete and reliable.
- Unsafe factors are to be eliminated in time. The circuit part should be checked thoroughly and the aging wires should be replaced in time.
- Adjust the clearance of various parts and replace worn (broken) parts. Avoid contact with corrosive liquids.
- When not in use, please store the product in a dry place. Do not store the product in hot, humid, or non-ventilated places.

WARRANTY

From the date of receipt, we provide a three-year warranty for the main unit and all the accessories included are covered by a one-year warranty.

Warranty access

- The repair or replacement of products is determined by the actual breakdown situation of product.
- It is guaranteed that AUTOOL will use brand new component, accessory or device in terms of repair or replacement.
- If the product fails within 90 days after the customer receives it, the buyer should provide both video and picture, and we will bear the shipping cost and provide the accessories for the customer to replace it free of charge. While the product is received for more than 90 days, the customer will bear the appropriate cost and we will provide the parts to the customer for replacement free of charge.

These conditions below shall not be in warranty range

- The product is not purchased through official or authorized channels.
- The product breakdown because the user does not follow product instructions to use or maintain the product.

We AUTOOL pride ourselves on superb design and excellent service. It would be our pleasure to provide you with any further support or services.

Disclaimer

All information, illustrations, and specifications contained in this manual, AUTOOL resumes the right of modify this manual and the machine itself with no prior notice. The physical appearance and color may differ from what is shown in the manual, please refer to the actual product. Every effort has been made to make all descriptions in the book accurate, but inevitably there are still inaccuracies, if in doubt, please contact your dealer or AUTOOL after-service centre, we are not responsible for any consequences arising from misunderstandings.

RETURN & EXCHANGE SERVICE

Return & Exchange

- If you are an AUTOOL user and are not satisfied with the AUTOOL products purchased from the online authorized shopping platform and offline authorized dealers, you can return the products within seven days from the date of receipt; or you may exchange it for another product of the same value within 30 days from the date of delivery.
- Returned and exchanged products must be in fully saleable condition with documentation of the relevant bill of sale, all relevant accessories and original packaging.
- AUTOOL will inspect the returned items to ensure that they are in good condition and eligible. Any item that does not pass inspection will be returned to you and you will not receive a refund for the item.
- You can exchange the product through the customer service center or AUTOOL authorized distributors; the policy of return and exchange is to return the product from where it was purchased. If there are difficulties or problems with your return or exchange, please contact AUTOOL Customer Service.

China	400-032-0988
Oversea Zone	+86 0755 23304822
E-mail	aftersale@autooltech.com
Facebook	https://www.facebook.com/autool.vip
YouTube	https://www.youtube.com/c/autooltech

目 录

版权信息	10
版权.....	10
注册商标.....	10
注意事项	11
警告.....	11
产品简介	12
概述.....	12
工作环境及技术指标.....	12
产品结构	13
结构图.....	13
操作说明	14
操作指导.....	14
提示与帮助	15
故障报告.....	15
维修保养服务	16
维修保养.....	16
保修服务	17
保修方式.....	17
声明.....	17
退换货服务	18
退换货.....	18

版权信息

版权

- 版权所有! 未征得深圳市偶然科技有限公司的书面同意, 任何公司或个人不得以任何形式 (电子、机械、影印、录制或其他形式) 对本说明书进行复制和备份。本手册专为偶然公司产品的使用而计, 对于将之用于指导其他设备操作而导致的各种后果, 本公司不承担任何责任。
- 因使用者个人或第三方的意外事故, 滥用、误用该设备, 擅自更改, 或修理该设备, 或未按偶然公司的操作与保养要求而导致设备损坏、遗失所产生的费用及开支等, 偶然公司及其分支机构不承担任何责任。
- **正式声明:** 本说明书所提及之其他产品名称, 目的在于说明该设备如何使用, 其注册商标所有权仍属原公司。
- 本设备供专业技术人员或维修人员使用。

注册商标

偶然公司已在中国及海外若干国家进行了商标注册, 其标志为 **AUTOOL**。本手册所提及之偶然公司其它商标、服务标志、域名、图标、公司名称均属偶然及其下属公司之产权。在偶然公司之商标、服务标志、域名、图标、公司名称还未注册之国家, 偶然公司声明其对未注册商标、服务标志、域名、图标、公司名称之所有权。本手册所提及之其它产品及公司名称的商标仍属于原注册公司所有。在未得到拥有人的书面同意之前, 任何人不得使用偶然公司或所提及的其它公司之商标、服务标志、域名、图标、公司名称。

您可以访问偶然网址: www.autooltech.com, 或发送邮件至: aftersale@autooltech.com, 与偶然公司进行联系, 征得其手册使用权之书面同意。

注意事项

警告

⚠ 在使用转向内窥镜前，请注意以下操作：

- ▶ 请勿擅自使用我司摄像头搭配其他厂家主机，即使接口相同也不可；
- ▶ 请勿在某些可能接触带电缆或者带电物体区域使用该产品，裸露在外的金属部位能导电，可能会导致意想不到的结果发生；
- ▶ 请勿让儿童单独操作该产品；
- ▶ 该产品禁止用于医疗或人体检测；
- ▶ 请保持产品干净，避免暴晒、或者与水，油污以及腐蚀性液体直接接触；
- ▶ 本机为整机不防水；
- ▶ 确认拨轮回到中位方可拔出蛇管，严禁暴力转动拨轮；
- ▶ 禁止扭动，拉扯蛇管前端弯曲体；
- ▶ 请轻拿轻放，不要过度弯折蛇管，蛇管弯曲极限为一圈。

产品简介

概述

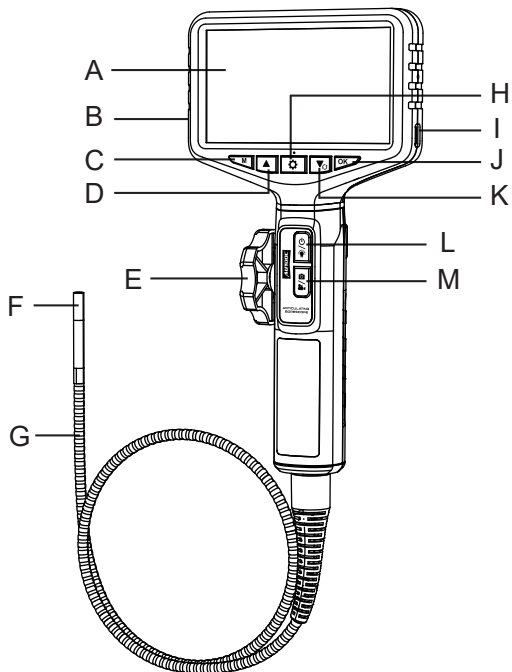
SVB305转向内窥镜是针对全球汽车市场最新推出的一款重要产品，专门用于探测汽车蒸发箱、燃烧室、三元催化传感器等难以进入的窄小弯曲空间。该产品具有转向探测功能，并具有独特的高温警报功能，方便用户将细小的探头深入狭小的空间内部，然后将生动、清晰、全方位的视频与图片呈现在5寸显示屏上，满足您多样化的检测需求。

工作环境及技术指标

摄像头直径	6.35mm
像素	2000K
景深	20-100mm
视角	70°
手动调光	支持三档调节
输入电源	DC 5V
使用时长	180分钟
电池容量	3000mAh
摄像头光源	6个LED灯
防水等级	IP67
蛇管材质	弹性金属软管
蛇管长度	1m
高温保护	高温智能保护，设备自动关机
转向方向	两方向
转向角度	最大210°
弯曲半径	35mm
操作环境	-10~80°C
湿度	15-90%

产品结构

结构图



A	显示屏	B	内存卡接口
C	M键	D	向上键
E	转向拨轮	F	百万高清摄像头
G	弹性蛇管	H	设置键
I	充电口	J	OK键
K	向下/切换键	L	开机/灯光调节键
M	拍照/录像键		

操作说明

操作指导

- 开关机: 长按开机键 (H) 两秒, 显示屏蓝色指示灯亮即为开机成功, 再次长按开机键 (H) 两秒关机。
- 灯光调节: 开机后, 短按灯光调节键 (H) 为调灯, 调节亮度为3档, 本机默认开机为灯光最亮。
- 拍照录像: 开机后, 短按拍录键 (I) 为拍照, 长按2秒为录像。
- 图像回放: 开机后, 短按M键即为图像回放功能, 通过上下键查找所需图片或视频, 短按ok键回放录像。
- 时间/日期: 开机后, 短按设置键2次切换到设置界面, 下翻选择日期/时间, 通过上下键调整到所需时间即可 (通过OK键确认所需时间)
- 日期标签: 日期标签默认打开, 打开后您所拍摄的照片与视频右下角会自动显示日期与时间。
- 录音与声音: 本机内置录音器和喇叭, 在您录制视频时会自动录音, 当您回放录制视频时会有音频。
- 充电: 请用5V适配器或者移动电源连接Type-C/USB线进行充电。充电电压和电流是5V/1A, 过高的电压, 有可能烧坏本机。请注意: 本机不支持快充。

提示与帮助

故障报告

故障现象	原因分析	排除方案
不开机	电池亏电	将内窥镜进行充电
自动关机	电池电量不足 或设置了自动关机	将内窥镜进行充电 及关闭自动关机设置
内存卡提示错误	内存卡没装好	重新安装内存卡
无法充电	充电接口脏污 或充电线损坏	更换充电线
图像模糊	镜头镜片脏污	取清洁布将镜片 擦拭干净
内存卡记录失败	内存卡容量不足	更换内存卡 或清理文件

维修保养服务

您所拥有的AUTOOL产品选用持久耐用的材料，AUTOOL坚持精益求精的生产工艺，每一件产品出厂都经过35道工序及12次质检工作，从而确保每一件产品都拥有卓越的品质及性能。所以您的AUTOOL产品值得您定期维护保养，使其产品将能够长期稳定地工作。

维修保养

维护保养是为了保持产品性能和外观，我们建议您仔细阅读以下产品保养指南：

- 注意不要将产品与粗糙表面摩擦或揉搓产品，特别是钣金外壳。
- 对产品中需要紧固和连接的部位经常进行检查，如发现松动应及时紧固，以保证产品的安全运行。对与各种化学介质接触的产品外部和内部零件要经常进行除锈、喷漆等防腐处理，以提高产品的抗腐蚀能力，延长产品的使用寿命。
- 遵守安全操作规程，不超负荷使用产品。产品的安全防护装置齐全可靠，及时消除不安全因素。电路部分彻底检查，老化电线要及时更换。
- 定期清洗和更换易耗部件；调整各部位配合间隙和更换磨损（已坏）部件清洁时，避免产品接触带腐蚀性的液态物品。
- 不使用时，请将产品存放于干燥的位置。不要将产品存放在高温、潮湿或不通风的地方。

保修服务

AUTOOL主机自客户签收日起享有3年保修期。其所含附件自客户签收日起享有1年保修期。

保修方式

- 根据具体的故障情况对产品进行免费修理或更换；
- 我方保证所有更换的部件、附件或产品都是全新；
- 在客户收到产品90天内出现故障同时提供视频和图片，我方承担运费并免费提供相应配件给客户更换。收到产品超过90天，客户承担相应的费用，我方免费提供配件给客户更换；

以下情况不在免费保修范围：

- 非正规渠道购买AUTOOL的产品；
- 未按产品说明书要求使用和维护造成的损坏；

在AUTOOL，我们为精湛的设计和卓越的服务感到自豪。我们很乐意为您提供更多的支持或服务。

声明

偶然公司保留更改产品设计与规格的权利，届时恕不另行通知。实物外观与颜色可能与说明书中显示的有差别，请以实物为准。我们已尽最大努力力求使书中所有描述准确，但仍难免有不妥之处。如有疑问，请联系经销商或偶然售后服务中心。本公司对产品拥有最终解释权，不承担任何因误解而产生的后果。

退换货服务

退换货

- 如果您对从线上授权购物平台和线下授权经销商所购买的 AUTOOL 产品不满意, 根据《AUTOOL 全球销售条款》, 您可以自收到产品之日起七日内退货; 或者在产品交付之日起的30日内调换等值的其他产品。
- 退回及调换的产品必须处于完全可销售状态, 并附上相关销售单单据, 所有相关配件、纸质发票 (如有)。
- AUTOOL 将会对寄回退货的商品进行检查, 以确保其处于完好无损的状态并且符合条件, 相关条件详情请参阅《AUTOOL 全球销售条款》。任何未通过检查的商品将退还给您, 您将不会获得商品退款。
- 您可以通过客户服务中心或AUTOOL授权经销商调换产品; 退换货原则为从哪里购买, 就从哪里退换货。如果您退换货遇见困难或者阻碍, 请联系AUTOOL客户服务中心。通过客户服务中心退换货时, 我们建议您通过下面的方式进行:

中国区域致电	400-032-0988 / 18929303778
售后微信号	18929303778
海外区域致电	+86 0755 23304822
E-mail	aftersale@autooltech.com
Facebook	https://www.facebook.com/autool.vip
YouTube	https://www.youtube.com/c/autooltech

- 如您的退换货得到确认, 您将收到确认信息和邮件。