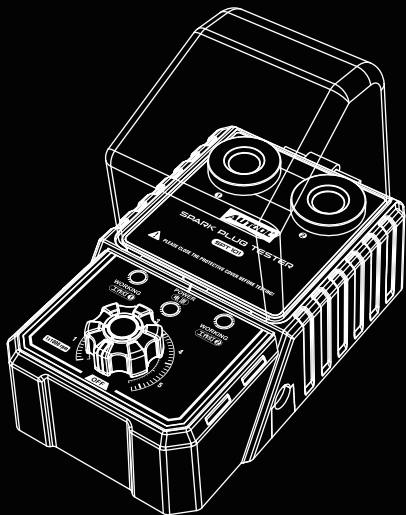


AUTOOL SPT101

Spark Plug Tester

User Manual





深圳市偶然科技有限公司

广东省深圳市宝安区航城锦驰产业园

📍 Hangcheng Jinchí Industrial Park, Bao'an, Shenzhen, China

🌐 www.autooltech.com

✉ aftersale@autooltech.com

☎ +86-755-2330 4822 / +86-400 032 0988

执行标准 / Execution standard: GB/T 7825-2017



TABLE OF CONTENTS

Copyright Information	2
Copyright.....	2
Trademark.....	3
Cautions	4
Warning.....	4
Product Introduction	4
Car spark plug test principle	4
Specifications	4
Product Structure	4
Structural Diagram.....	4
Operation Introduction	5
Instruction	5
Maintenance Service	6
Maintenance	6
Warranty	7
Warranty access	7
Disclaimer.....	8
Return & Exchange Service	8
Return & Exchange.....	8

COPYRIGHT INFORMATION

Copyright

- All rights reserved by AUTOOL TECH. CO., LTD. No part of this publication may be reproduced, stored in a retrieval system, or transmitted in any form or by any means, electronic, mechanical, photocopying, recording or otherwise, without the prior written permission of AUTOOL. The information contained herein is designed only for the use of this unit. AUTOOL is not responsible for any use of this information as applied to other units.
 - Neither AUTOOL nor its affiliates shall be liable to the purchaser of this unit or third parties for damages, losses, costs, or expenses incurred by the purchaser or third parties as a result of: accident, misuse, or abuse of this unit, or unauthorized modifications, repairs, or alterations to this unit, or failure to strictly comply with AUTOOL operating and maintenance instructions.
 - AUTOOL shall not be liable for any damages or problems arising from the use of any options or any consumable products other than those designated as original AUTOOL products or AUTOOL approved products by AUTOOL.
 - Other product names used herein are for identification purposes only and may be trademarks of their respective owners. AUTOOL disclaims any and all rights in those marks.
-

Trademark

- Manual are either trademarks, registered trademarks, service marks, domain names, logos, company names or are otherwise the property of AUTOOL or its affiliates. In countries where any of the AUTOOL trademarks, service marks, domain names, logos and company names are not registered, AUTOOL claims other rights associated with unregistered trademarks, service marks, domain names, logos, and company names. Other products or company names referred to in this manual may be trademarks of their respective owners. You may not use any trademark, service mark, domain name, logo, or company name of AUTOOL or any third party without permission from the owner of the applicable trademark, service mark, domain name, logo, or company name.

You may contact AUTOOL by visiting AUTOOL at <https://www.autooltech.com>, or writing to aftersale@autooltech.com, to request written permission to use materials on this manual for purposes or for all other questions relating to this manual.

CAUTIONS

Warning

- ▶ Up to 1000V voltage will be generated during test, please close the protective cover before testing!
 - ▶ Do not pull out or insert the spark plug with the power supply connected. If you want to insert or pull it out, please turn off the power first.
-

PRODUCT INTRODUCTION

Car spark plug test principle

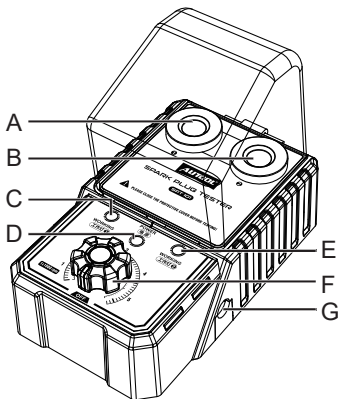
- In automobile ignition system, the high-voltage ignition coil generates a high-voltage, and the spark plug diverts it from high-tension ignition coil into the cylinder engine, spark between the spark plug electrodes will ignite the mixture, The detector could tell the good spark plugs from the bad by the strength of the spark.
-

Specifications

Power Adapter	Input 100-240V AC; Output 12V 1A DC
---------------	--

PRODUCT STRUCTURE

Structure diagram



A	Spark plug socket
B	Spark plug socket
C	HV(High voltage indicator)
D	Power indicator
E	HV(High voltage indicator)
F	Switch
G	Power interface

OPERATION INTRODUCTION

Instruction

- Place the spark plug into tester socket (A) or (B).
- Close the protective cover, plug the power adapter into the side power interface (G), connect the power.
- Turn the switch (F) clockwise to power on tester, indicator (E) will light up green.
- Continue to turn the switch (F) clockwise, you can adjust the working frequency between 1000rpm to 6000rpm/min, The higher the frequency is set, the stronger the spark strength is.

MAINTENANCE SERVICE

- Our products are made of long-lasting and durable materials, and we insist on perfect production process. Each product leaves the factory after 35 procedures and 12 times of testing and inspection work, which ensures that each product has excellent quality and performance.
-

Maintenance

To maintain the performance and appearance of the product, it is recommended that the following product care guidelines be read carefully:

- Be careful not to rub the product against rough surfaces or wear the product, especially the sheet metal housing.
- Please regularly check the product parts that need to be tightened and connected. If found loose, please tighten it in time to ensure the safe operation of the equipment. The external and internal parts of the equipment in contact with various chemical media should be frequently treated with anti-corrosion treatment such as rust removal and painting to improve the corrosion resistance of the equipment and extend its service life.
- Comply with the safe operating procedures and do not overload the equipment. The safety guards of the products are complete and reliable.
- Unsafe factors are to be eliminated in time. The circuit part should be checked thoroughly and the aging wires should be replaced in time.

- Regularly clean and replace consumable parts such as oil pump and oil filter; adjust the clearance of various parts and replace worn (broken) parts. Avoid contact with corrosive liquids.
 - When not in use, please store the product in a dry place. Do not store the product in hot, humid, or non-ventilated places.
-

WARRANTY

- From the date of receipt, we provide a three-year warranty for the main unit and all the accessories included are covered by a one-year warranty.
-

Warranty access

- The repair or replacement of products is determined by the actual breakdown situation of product.
- It is guaranteed that AUTOTOOL will use brand new component, accessory or device in terms of repair or replacement.
- If the product fails within 90 days after the customer receives it, the buyer should provide both video and picture, and we will bear the shipping cost and provide the accessories for the customer to replace it free of charge. While the product is received for more than 90 days, the customer will bear the appropriate cost and we will provide the parts to the customer for replacement free of charge.

These conditions below shall not be in warranty range

- The product is not purchased through official or authorized channels.
- The product breakdown because the user does not follow product instructions to use or maintain the product.

We AUTOOL pride ourselves on superb design and excellent service. It would be our pleasure to provide you with any further support or services.

Disclaimer

- All information, illustrations, and specifications contained in this manual, AUTOOL reserves the right to modify this manual and the machine itself with no prior notice. The physical appearance and color may differ from what is shown in the manual, please refer to the actual product. Every effort has been made to make all descriptions in the book accurate, but inevitably there are still inaccuracies, if in doubt, please contact your dealer or AUTOOL after-service centre, we are not responsible for any consequences arising from misunderstandings.

RETURN & EXCHANGE SERVICE

Return & Exchange

- If you are an AUTOOL user and are not satisfied with the AUTOOL products purchased from the online authorized

shopping platform and offline authorized dealers, you can return the products within seven days from the date of receipt; or you may exchange it for another product of the same value within 30 days from the date of delivery.

- Returned and exchanged products must be in fully saleable condition with documentation of the relevant bill of sale, all relevant accessories and original packaging.
- AUTOOL will inspect the returned items to ensure that they are in good condition and eligible. Any item that does not pass inspection will be returned to you and you will not receive a refund for the item.
- You can exchange the product through the customer service center or AUTOOL authorized distributors; the policy of return and exchange is to return the product from where it was purchased. If there are difficulties or problems with your return or exchange, please contact AUTOOL Customer Service.

China	400-032-0988
Oversea Zone	+86 0755 23304822
E-mail	aftersale@autooltech.com
Facebook	https://www.facebook.com/autool.vip
YouTube	https://www.youtube.com/c/autooltech