

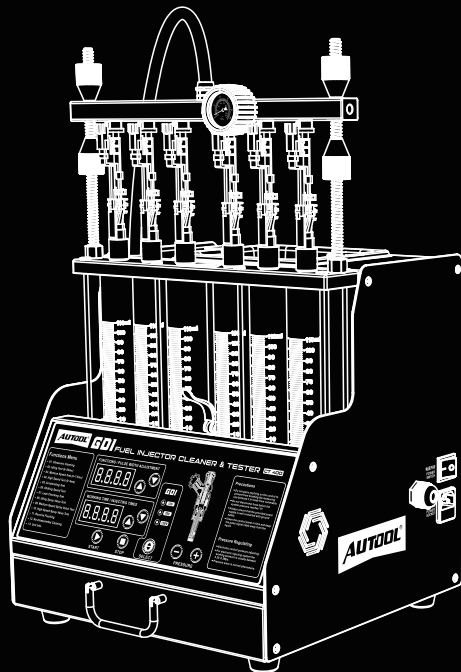
**AUTOOL<sup>®</sup>**

# **AUTOOL CT400**

Fuel Injector Cleaner & Tester

User Manual

用户手册





深圳市偶然科技有限公司

广东省深圳市宝安区航城锦驰产业园

📍 Hangcheng Jinchí Industrial Park, Bao'an, Shenzhen, China

🌐 [www.autooltech.com](http://www.autooltech.com)

✉ [aftersale@autooltech.com](mailto:aftersale@autooltech.com)

☎ +86-755-2330 4822 / +86-400 032 0988

企业标准 / Corporate standard: Q/OR 002-2023



## COPYRIGHT INFORMATION

---

### Copyright

- All rights reserved by AUTOOL TECH. CO., LTD. No part of this publication may be reproduced, stored in a retrieval system, or transmitted in any form or by any means, electronic, mechanical, photocopying, recording or otherwise, without the prior written permission of AUTOOL. The information contained herein is designed only for the use of this unit. AUTOOL is not responsible for any use of this information as applied to other units.
  - Neither AUTOOL nor its affiliates shall be liable to the purchaser of this unit or third parties for damages, losses, costs, or expenses incurred by the purchaser or third parties as a result of: accident, misuse, or abuse of this unit, or unauthorized modifications, repairs, or alterations to this unit, or failure to strictly comply with AUTOOL operating and maintenance instructions.
  - AUTOOL shall not be liable for any damages or problems arising from the use of any options or any consumable products other than those designated as original AUTOOL products or AUTOOL approved products by AUTOOL.
  - Other product names used herein are for identification purposes only and may be trademarks of their respective owners. AUTOOL disclaims any and all rights in those marks.
- 

### Trademark

Manual are either trademarks, registered trademarks, service marks, domain names, logos, company names or are otherwise the property of AUTOOL or its affiliates. In countries where any of the AUTOOL trademarks, service marks, domain names, logos and company names are not registered, AUTOOL claims other rights associated with unregistered trademarks, service marks, domain names, logos, and company names. Other products or company names referred to in this manual may be trademarks of their respective owners. You may not use any trademark, service mark, domain name, logo, or company name of AUTOOL or any third party without permission from the owner of the applicable trademark, service mark, domain name, logo, or company name. You may contact AUTOOL by visiting AUTOOL at <https://www.autooltech.com>, or writing to [aftersale@autooltech.com](mailto:aftersale@autooltech.com), to request written permission to use materials on this manual for purposes or for all other questions relating to this manual.

## CAUTIONS

---

### Warning



Before using the instrument, please read this manual carefully for proper operation.

- ▶ Since the test device is quartz glass, which is easy to be broken, please don't place other objects around the device to avoid breaking by bumping.
- ▶ If there is no digital display after power on (there may be a delay of several seconds), please check whether the power supply has electricity; if there is a power failure, please check whether the plug is firmly connected, or check whether the fuse is blown. If there is no break, and the switch is still not working after pressing several times, please contact your local dealer, do not disassemble it by yourself, otherwise our company shall not warrant.
- ▶ Do not switch on the ultrasonic system when there is no ultrasonic detergent in the ultrasonic cleaning chamber. Otherwise, damage to the ultrasonic cleaner can be resulted.
- ▶ It must be emptied completely before adding 1000ml of test liquid for every test liquid change.
- ▶ The use of unqualified test liquid will cause corrosion of the pump and oil supply line and failure of the pressure gauge.
- ▶ Only the ultrasonic cleaning liquid matched with the machine can be added to the ultrasonic bath, and other cleaning liquid can not be used instead, otherwise, the surface coating of the equipment and the mask will peel off, which will not be covered by the warranty.
- ▶ Kerosene, gasoline, pure water and other testing and cleaning solutions are strictly forbidden to be used as the testing and cleaning solution for this equipment. Otherwise, it will damage the "O" ring and rubber parts of the pipeline inside the equipment and cause leakage.
- ▶ Do not mix cleaning liquid with testing liquid.
- ▶ Please place the machine on a flat surface and use the four feet to support the weight of the machine, otherwise the ultrasonic cleaning bath will be damaged, which is not covered by the warranty.

# TABLE OF CONTENTS

---

<b>Product Introduction</b> .....	2
Overview .....	2
Main functions .....	2
Main features .....	2
Working environment .....	3
Technical parameters .....	3
<b>Product Structure</b> .....	5
Structure diagram.....	5
Operation panel diagram.....	6
<b>Operation Process</b> .....	7
Ultrasonic cleaning.....	7
Test functions .....	8
<b>Storage And Maintenance</b> .....	13
Tidy up.....	13
<b>Maintenance Service</b> .....	14
Maintenance.....	14
<b>Warranty</b> .....	15
Warranty access.....	15
Disclaimer .....	15
<b>Return &amp; Exchange Service</b> .....	16
Return & Exchange .....	16

## PRODUCT INTRODUCTION

---

### Overview

Fuel injector cleaner and tester is a kind of electromechanical integration product that adopts ultrasonic cleaning technology and microcomputer oil pressure closed-loop control cleaning and testing technology. The product can be used to clean and test the injectors of various motorcycles in analogy to the various working conditions of the engine, as well as to clean the injectors and oil supply system of motorcycles without disassembly. The machine is the necessary and preferred equipment for the automotive serving and maintenance, research, and teaching training departments.

---

### Main functions

- **Ultrasonic cleaning:**  
To perform simultaneous cleaning on one or several injectors and to remove the carbon deposits on the injector completely.
  - **Uniformity test:**  
To test the uniformity of injecting amount of each injector.
  - **Sprayability test:**  
To monitor the spraying status of each injector with the help of a backlight.
  - **Leakage test:**  
To test the sealing and dribbling conditions of injectors under system pressure.
  - **Injecting flow test:**  
To check the injecting amount of the injector under specific working parameters. (e.g. same time, same number of times.)
  - Adopted with the latest unique GDI fuel injector driving software, which can drive 12V, 70V, 120V high-pressure fuel injectors.
- 

### Main features

- Adopting the powerful ultrasonic cleaning technology, the equipment offers complete cleaning to the injectors.
- Fuel pressure control through microcomputer offers stable pressure control and large adjustable range.

- Adopting high-definition digital control panel display, it makes the operation simple and easy to learn.
- Test liquid level can be displayed visually. It can also be recovered for recycling use.
- With the help of the bright background light of the LED, it is possible to clearly observe the various working conditions of the injectors.
- Replaceable composite coupling with patented and suitable for many models.
- The testing time and pulse width of the fuel injector can be adjusted as desired within the allowed adjustment range.

**Working environment**

Power Supply	<b>AC 110V/220V ±10%</b>
Frequency	<b>50~60HZ ±0.5</b>
Relative Humidity	<b>&lt;85%</b>
Environment Temperature	<b>0°C~+40°C</b>
External Magnetic Field Strength	<b>&lt;400A/m</b>
<b>No open flames are allowed around</b>	

**Technical parameters**

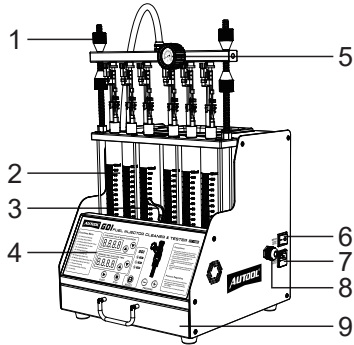
Fuel Tank Capacity	<b>3000ml</b>
Cylinder Volume	<b>110ml</b>
RPM Range	<b>0~7500RPM</b>
Injection Times	<b>0~9900times</b>
PWM Pulse Width	<b>0~20ms</b>
System Pressure	<b>0~0.55Mpa (adjustable)</b>
Time Settings	<b>0~10min</b>
Ultrasonic Cleaning Frequency	<b>28KHZ ±0.5KHZ</b>
Product Size	<b>335*325*350mm</b>

Package Size	<b>410*410*445mm</b>
Product Weight	<b>16.6kg</b>
Package Weight	<b>18kg</b>

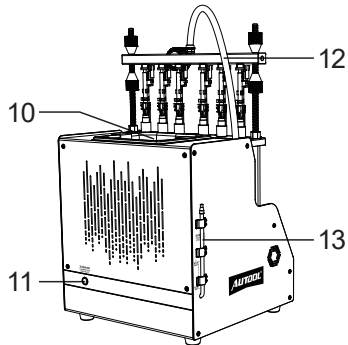


# PRODUCT STRUCTURE

## Structure diagram

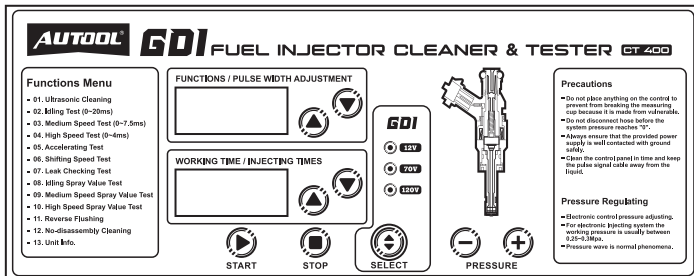


1	Lock nut	2	Test tube
3	Drain button	4	Control panel
5	Pressure gauge	6	Power switch
7	Power socket	8	Pulse signal cable
9	Portable drawer		



10	Ultrasonic cleaning bath	11	Cleaning agent drain valve
12	Oil outlet pipe	13	Testing agent liquid level

## Operation panel diagram



- **Function / Pulse Width**  
Displays function options or pulse width.
- **Operating Time / Injection Count:**  
Displays the working time or injection count of the injectors.
- **Function Menu Selection Button:**  
Selects function options or adjusts the pulse width.
- **Time / Count Adjustment Button:**  
Adjusts the working time and injection count of the injectors.
- **Start Button:**  
Executes the selected work item when pressed.
- **Stop Button:**  
Stops the selected work item and returns to the selected work item.
- **Selection Button:**  
Fuel Injectors Voltage Selection.
- **Pressure Decrease Adjustment Button**
- **Pressure Increase Adjustment Button**

### Oil Drain Valve Instructions:

- When you need to observe the fuel injection volume, press the oil drain valve. This will keep the test liquid sprayed from the injectors inside the glass tube, allowing you to compare the amount of oil sprayed by each injector. After observation, open the oil drain valve again, and the test reagent will flow back into the fuel tank.

## OPERATION PROCESS

---

### Ultrasonic cleaning

Injector cleaner takes advantage of the penetrability and cavitation impact wave caused by ultrasonic waves traveling through the middle to provide powerful cleaning on objects with complex shapes, cavities, and pores so that the stubborn carbon deposits can be removed from the injectors.

#### Preparation

- Remove the injector from the vehicle engine to check the rubber seals inside for damage. Replace the damaged rubber seals with another same type of rubber seal to avoid leakage during testing. Put the outside of injectors in gasoline or detergent, and wipe them with a soft cloth after cleaning the outside oil sludge carefully.
- Turn on the power.

#### NOTE

- ▶ There will be a delay of several seconds when this device is restarted after a long power disconnection.
- 
- Take out the cleaning bracket from the accessory box, then put it into the ultrasonic bath, and put the clean fuel injector in the positioning hole of the cleaning bracket in the ultrasonic bath.

#### Operation Steps

- Add appropriate injector cleaning liquid into the ultrasonic bath, which slightly immerses over the cleaning bracket will be fine.
- Turn on the ultrasonic switch on the right side of the main unit to start ultrasonic cleaning.
- During the ultrasonic cleaning process, pulse signals can be input to the fuel injector.

#### Steps

- Plug the injector pulse signal wires into injectors respectively in turn. (Special injectors need to be connected with adapter wires).

- Press the item selection up and down keys to select the “01 Ultrasonic Cleaning” item, and then press the working time up and down keys to set the time. (The system defaults to 10 minutes, if you need to modify the time, you can change it with the up and down keys)
- Press the run key, and the system starts to input pulse signals. When finished cleaning, take out the injectors from the ultrasonic tank. Wipe off the cleaning liquid with a soft cloth and prepare for the next operation.

**⚠ NOTE**

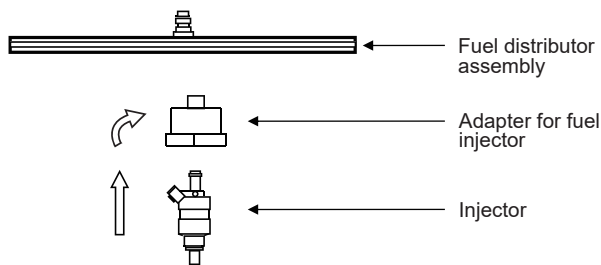
- ▶ During the cleaning process, you can hear the intermittent vibration when you take the fuel injector out and put it near your ear, which can determine whether the injector has a pulse signal.
- ▶ Before the injector detergent is added into the ultrasonic cleaner, do not turn on the ultrasonic cleaner. Otherwise, damage may be incurred.
- ▶ Only the ultrasonic cleaning liquid matched with the machine can be added to the ultrasonic tank, and other cleaning liquid can not be used instead, otherwise, the surface coating of the equipment and the mask will peel off, which will not be covered by the warranty.

**Test functions**

This function is to detect the sprayability, dripping, blockage, fuel injecting angle of the fuel injectors and the amount and uniformity of the fuel injection of each fuel injector at different RPM.

**Preparation**

- Add test liquid. Pour the test liquid from the filling port.
- Installation of fuel injectors.



Schematic diagram of injector installation

- Install the injector adapter and the plug into the fuel distributor assembly.
- Install the fuel injector in the forward direction. (Apply a little grease on the “O” ring of the fuel injector.)
- Install the fuel distributor assembly and the fuel injectors on the top assembly plate and tighten and fix it with a fixed screw nut and a fixed screw sleeve. Get ready to test.
- Select 12V/70V/120V according to injector type.

## Steps

### Item 02 Idle Speed Test

- Connect the quick connector of the black outlet hose on the machine with the male end connector on the fuel distributor assembly, and insert the pulse line of the fuel injector.
- Press the item selection up and down keys to select the “02 Idle Speed Test” item.
- Press the working time up and down keys to set the time. (Normally set to 10 minutes.)
- Press the “run” key to start working.
- Rotate the pressure adjustment knob to adjust the pressure to 2-5kg. (In the electronic spraying system, the oil pressure is generally 2-5kg.)
- Press the up and down keys to select the appropriate pulse width. (The system defaults to 3ms, generally adjusted to 3ms.)

- The working time will gradually decrease, and when it reaches 0, the system will stop automatically.

### **03 Middle-speed Test**

- Press the item selection up and down keys to select the “03 middle-speed test” item.
- Press the RUN button.
- The rest of the operation steps are consistent with item 02.

### **04 High-speed Test**

- Press the item selection up and down keys to select the “04 High-speed test” item.
- Press the RUN button.
- The rest of the operation steps are consistent with item 02.

### **05 Accelerated Test**

- Select “05 Accelerating Test”.
- Press the start button.

#### **⚠ NOTE**

- ▶ The fuel pressure, working time and pulse width are automatically set by the system. The time system defaults to 10s as a cycle period, and the user does not need to set it separately.
- ▶ The system will automatically and continuously cycle three times to simulate the working condition and fuel injection volume of the fuel injector when the engine is accelerating uniformly.

### **06 Various Speed Test**

- Select “06 Variable Speed Test”.
- Press the start button.

#### **⚠ NOTE**

- ▶ The fuel pressure, working time and pulse width are automatically set by the system. The time system defaults to a cycle of

10s, and the user does not need to set it separately.

- ▶ The system will automatically and continuously cycle three times to simulate the working condition and fuel injection volume of the fuel injector when the engine is idling, medium speed, and high speed.
- 

### 07 Leakage Test

- Press the item selection up and down keys to select the “07 Leakage test” item.
- Press the working time selection keys to set the time. (Generally set to 1 minute)
- The remaining operation steps are consistent with item 02.

#### NOTE

- ▶ The pulse width system is preset to 3ms, no need to set it again.
  - ▶ Simulate whether the fuel injectors drip and leak when the oil pressure of the vehicle is 0.3Mpa.
- 

### 08 Idle Fuel Injecting Amount Test

- Press the item selection up and down keys to select the “08 Idle fuel injecting amount test” item.
- The remaining operation steps are consistent with item 02.

#### NOTE

- ▶ Simulates the working condition and injection amount of the engine at idle speed when the injectors work a certain number of times.
- 

### 09 Middle-speed Fuel Injecting Amount Test

- Press the item selection up and down keys to select the item “09 Middle-speed fuel injecting amount test”.
  - The rest of the operation steps are consistent with item 08.
-

## 10 High-speed Fuel Injecting Amount Test

- Press the item selection up and down keys to select the “10 High-speed fuel injecting amount test” item.
- The rest of the operation steps are consistent with item 08.

### NOTE

#### ▶ Uniformity

This is for checking the uniformity carried out at various rpm. When the test liquid level is at 2/3 of the test tube, please pause or stop the machine to observe the uniformity of the injecting amount. Injecting difference of all injectors on one vehicle should be kept within 2%. Or refer to the relevant technical manual of the fuel injector to determine the uniformity of the injecting amount.

#### ▶ Observe the shape of the injectors

Observe whether the injecting shapes and angles of all fuel injectors on the same vehicle are identical at various speeds. At the same time, you can adjust the injection pulse width of the fuel injectors to compare whether the minimum injection pulse width among the fuel injectors is consistent.

#### ▶ Leakage test

Leakage test is to inspect the sealing conditions of the injector needle valve under system pressure. (Observe the tightness of the fuel injectors, generally, there should be no leakage within one minute.)

---

## 11 Reverse Flush Test

- Press the item selection up and down keys to select “11 Reverse Flush”, and install the injectors in the opposite direction for cleaning.

---

## 12 No-disassembly Cleaning

- Please connect to various special parts that can clean the combustion chamber or throttle.



## STORAGE AND MAINTENANCE

---

### Tidy up

- Turn off the power and unplug the power plug.
  - Put all the connectors back into the accessory box for storage.
  - Put the ultrasonic cleaner back into the original bottle and seal it, and wipe the equipment clean with a dry soft cloth.
  - If it is not used for a long time, open the test liquid valve and drain the test liquid back into the original bottle for sealed preservation.
- 

- **Replacement of test liquid**

Impurities can be built up in the test liquid after being used for a period of time. Do not use contaminated test liquid, otherwise, injector and fuel pumps can be blocked. Drain the test liquid by removing the level indicator on the left of the main unit. It is better to clean the fuel tank with a little test liquid before the tank is filled in with the new liquid. After cleaning, close the test liquid valve again and pour in new test liquid.

- **Replacement of fuse**

There is a square box marked with a fuse at the power socket on the left side of the equipment, and the fuse can be seen by opening the square box. If it is blown, replace it with a new one (5A).

## MAINTENANCE SERVICE

---

Our products are made of long-lasting and durable materials, and we insist on perfect production process. Each product leaves the factory after 35 procedures and 12 times of testing and inspection work, which ensures that each product has excellent quality and performance.

---

**Maintenance** To maintain the performance and appearance of the product, it is recommended that the following product care guidelines be read carefully:

- Be careful not to rub the product against rough surfaces or wear the product, especially the sheet metal housing.
- Please regularly check the product parts that need to be tightened and connected. If found loose, please tighten it in time to ensure the safe operation of the equipment. The external and internal parts of the equipment in contact with various chemical media should be frequently treated with anti-corrosion treatment such as rust removal and painting to improve the corrosion resistance of the equipment and extend its service life.
- Comply with the safe operating procedures and do not overload the equipment. The safety guards of the products are complete and reliable.
- Unsafe factors are to be eliminated in time. The circuit part should be checked thoroughly and the aging wires should be replaced in time.
- Adjust the clearance of various parts and replace worn (broken) parts. Avoid contact with corrosive liquids.
- When not in use, please store the product in a dry place. Do not store the product in hot, humid, or non-ventilated places.

## WARRANTY

---

From the date of receipt, we provide a three-year warranty for the main unit and all the accessories included are covered by a one-year warranty.

---

### Warranty access

- The repair or replacement of products is determined by the actual breakdown situation of product.
- It is guaranteed that AUTOOL will use brand new component, accessory or device in terms of repair or replacement.
- If the product fails within 90 days after the customer receives it, the buyer should provide both video and picture, and we will bear the shipping cost and provide the accessories for the customer to replace it free of charge. While the product is received for more than 90 days, the customer will bear the appropriate cost and we will provide the parts to the customer for replacement free of charge.

### These conditions below shall not be in warranty range

- The product is not purchased through official or authorized channels.
- The product breakdown because the user does not follow product instructions to use or maintain the product.

---

We AUTOOL pride ourselves on superb design and excellent service. It would be our pleasure to provide you with any further support or services.

---

### Disclaimer

All information, illustrations, and specifications contained in this manual, AUTOOL resumes the right of modify this manual and the machine itself with no prior notice. The physical appearance and color may differ from what is shown in the manual, please refer to the actual product. Every effort has been made to make all descriptions in the book accurate, but inevitably there are still inaccuracies, if in doubt, please contact your dealer or AUTOOL after-service centre, we are not responsible for any consequences arising from misunderstandings.

## RETURN & EXCHANGE SERVICE

---

### Return & Exchange

- If you are an AUTOOL user and are not satisfied with the AUTOOL products purchased from the online authorized shopping platform and offline authorized dealers, you can return the products within seven days from the date of receipt; or you may exchange it for another product of the same value within 30 days from the date of delivery.
- Returned and exchanged products must be in fully saleable condition with documentation of the relevant bill of sale, all relevant accessories and original packaging.
- AUTOOL will inspect the returned items to ensure that they are in good condition and eligible. Any item that does not pass inspection will be returned to you and you will not receive a refund for the item.
- You can exchange the product through the customer service center or AUTOOL authorized distributors; the policy of return and exchange is to return the product from where it was purchased. If there are difficulties or problems with your return or exchange, please contact AUTOOL Customer Service.

<b>China</b>	400-032-0988
<b>Oversea Zone</b>	+86 0755 23304822
<b>E-mail</b>	aftersale@autooltech.com
<b>Facebook</b>	<a href="https://www.facebook.com/autool.vip">https://www.facebook.com/autool.vip</a>
<b>YouTube</b>	<a href="https://www.youtube.com/c/autooltech">https://www.youtube.com/c/autooltech</a>

## TABLA DE CONTENIDOS

---

<b>Derecho de autor</b> .....	18
Derecho de Autor .....	18
Marca Comercial .....	18
<b>Precaución</b> .....	19
Advertencia .....	19
<b>Introducción del producto</b> .....	20
Resumen .....	20
Funciones principales .....	20
Características principales .....	21
Entorno de trabajo.....	21
Parámetros técnicos .....	21
<b>Estructura del producto</b> .....	23
Diagrama de Estructura .....	23
Diagrama del panel de operaciones .....	24
<b>Proceso de operación</b> .....	25
Limpieza ultrasónica .....	25
Funciones de prueba .....	26
<b>Almacenamiento y mantenimiento</b> .....	32
Ordenar .....	32
<b>Servicio de mantenimiento</b> .....	33
Mantenimiento.....	33
<b>Garantía</b> .....	34
Acceso a la garantía .....	34
Descargo de responsabilidad.....	34
<b>Servicio de devolución y cambio</b> .....	35
Devolución & Cambio.....	35

## DERECHO DE AUTOR

---

### Derecho de Autor

- Todos los derechos reservados por AUTOOL TECH. CO., LTD. (en adelante, "AUTOOL"), ninguna parte de esta publicación puede ser reproducida, guardada en cualquier forma (electrónica, mecánica, fotocopiada, grabada u otra forma) por ninguna parte o empresa sin el permiso previo por escrito de AUTOOL. El contenido en este documento está diseñado solo para el uso de esta unidad. AUTOOL no es responsable de ningún uso de esta información aplicada a otras unidades.
  - Ni AUTOOL ni sus sucursales serán responsables ante el comprador de esta unidad o terceros por daños, pérdidas, costos o gastos incurridos por el comprador o terceros como resultado de: accidente, mal uso o abuso de esta unidad, o modificaciones no autorizadas, reparaciones o alteraciones de esta unidad, o incumplimiento estricto de las instrucciones de operación y mantenimiento de AUTOOL.
  - AUTOOL no será responsable de ningún daño o problema que surja del uso de cualquier accesorio o cualquier producto consumible que no sean los productos originales o aprobados por AUTOOL.
  - Otros nombres de productos utilizados en este documento son solo para identificar el uso de la unidad y sus derechos de autores de marcas comerciales permanecen a sus respectivos propietarios. AUTOOL renuncia a todos y cada uno de los derechos de autor sobre esas marcas.
- 

### Marca Comercial

Manual son marcas comerciales, marcas registradas, marcas de servicio, nombres de dominio, logotipos, nombres de empresas o son de otra manera la propiedad de AUTOOL o sus sucursales. En los países donde cualquiera de las marcas comerciales, marcas de servicio, nombres de dominio, logotipos y nombres de empresas de AUTOOL no están registrados, AUTOOL reclama otros derechos asociados a las marcas comerciales no registradas, marcas de servicio, nombres de dominio, logotipos y nombres de empresas. Otros productos o nombres de empresas a los que se hace referencia en este manual pueden ser marcas comerciales de sus respectivos propietarios. Usted no puede utilizar ninguna marca comercial, marca de servicio, nombre de dominio, logotipo o nombre de la empresa de AUTOOL o de terceros sin el permiso del propietario de la marca comercial aplicable, marca de servicio, nombre de dominio, logotipo o nombre de la empresa. Usted puede ponerse en contacto con AUTOOL consultando el sitio web <https://www.au-tooltech.com>, o escribiendo a [aftersale@autooltech.com](mailto:aftersale@autooltech.com), para solicitar el permiso por escrito para utilizar los materiales en este manual para fines o para todas las demás cuestiones relacionadas con este manual.

## PRECAUCIÓN

---

### Advertencia



Antes de utilizar el instrumento, lea atentamente este manual para un funcionamiento adecuado.

- ▶ Dado que el dispositivo de prueba es parte del vidrio de cuarzo, es fácil de romper, por lo que no coloque otros objetos alrededor del equipo para evitar golpes y roturas.
- ▶ Si no hay una pantalla digital después del encendido, por favor compruebe si la fuente de alimentación está proporcionada; si está proporcionada, compruebe si el enchufe está conectado firmemente o si el fusible está quemado. Si no está roto y el interruptor aún no sirve después de presionar el interruptor varias veces de forma intermitente, comuníquese con el fabricante y no debe desmontarlo por sí mismo, de lo contrario, nuestra compañía no proporcionará ninguna garantía.
- ▶ Cuando no se agrega ningún agente de limpieza al tanque ultrasónico, está estrictamente prohibido abrir el artículo de limpieza ultrasónica para evitar daños al sistema ultrasónico.
- ▶ Cada vez que se cambia la solución de prueba, debe limpiarse y luego se debe agregar 1L de nueva solución de prueba.
- ▶ El uso de líquido de prueba no calificado causará la corrosión de la bomba y la línea de suministro de aceite y el fracaso del manómetro.
- ▶ En la bañera de ultrasonidos sólo se puede añadir el líquido de limpieza por ultrasonidos adecuado a la máquina, y no se puede utilizar otro líquido de limpieza en su lugar, de lo contrario, el revestimiento de la superficie del equipo y la máscara se despegarán, lo que no estará cubierto por la garantía.
- ▶ Está estrictamente prohibido utilizar queroseno, gasolina, agua pura y otras soluciones de prueba y limpieza para este equipo. De lo contrario, dañará la junta tórica y las piezas de goma de la tubería dentro del equipo y provocará fugas.
- ▶ El agente de limpieza y el agente de prueba no deben mezclarse.
- ▶ Por favor, coloque la máquina en una superficie plana y utilice las cuatro patas para soportar el peso de la máquina, de lo contrario la bañera de limpieza por ultrasonidos se dañará, lo que no está cubierto por la garantía.

## INTRODUCCIÓN DEL PRODUCTO

---

### Resumen

El equipo de diagnóstico y limpieza del inyector de combustible es un producto mecatrónico que combina la tecnología de limpieza ultrasónica y la tecnología de limpieza y detección de control de aceite cerrado a presión de aceite microinformática. Este producto simula varias condiciones de funcionamiento del motor, y limpia e inspecciona los inyectores de combustible de varios automóviles y motocicletas. Este equipo es el equipo necesario y preferido para la industria de reparación y mantenimiento de automóviles y motocicletas, los departamentos de enseñanza y capacitación y de la investigación.

---

### Funciones principales

- **Limpieza ultrasónica:**  
La limpieza ultrasónica se puede realizar en uno o varios inyectores al mismo tiempo, lo que puede eliminar los accesorios y los bloqueos internos en los inyectores.
  - **Prueba de Uniformidad:**  
Para comprobar la uniformidad de la cantidad de inyección de cada inyector.
  - **Prueba de pulverizabilidad:**  
Para controlar el estado de pulverización de cada inyector con la ayuda de una luz de fondo.
  - **Prueba de estanqueidad:**  
Comprobar las condiciones de sellado y goteo de los inyectores bajo la presión del sistema.
  - **Prueba de flujo de inyección:**  
Para comprobar la cantidad de inyección del inyector bajo parámetros de trabajo específicos. (por ejemplo, el mismo tiempo, el mismo número de veces.
  - Adoptado con el último software de conducción de inyectores de combustible GDI único, que puede conducir 12V, 70V, 120V inyectores de combustible de alta presión.
-



### Características principales

- Adoptando la potente tecnología de limpieza por ultrasonidos, el equipo ofrece una limpieza completa a los inyectores.
- El control de la presión del combustible a través del microordenador ofrece un control estable de la presión y un gran rango ajustable.
- La adopción de la pantalla del panel de control digital de alta definición, hace que la operación sea simple y fácil de aprender.
- El nivel de líquido del tanque de aceite se muestra visualmente y el líquido de detección se puede reciclar.
- Con la ayuda de la brillante luz de fondo del LED, es posible observar claramente las diferentes condiciones de trabajo de los inyectores.
- Tiene juntas compuestas reemplazables adecuadas para una variedad de tipos de modelos.
- El tiempo de prueba y el ancho de pulso del chorro de combustible se pueden ajustar dentro del rango de ajuste.

### Entorno de trabajo

Fuente de alimentación	<b>AC 110V/220V ±10%</b>
Frecuencia	<b>50~60HZ ±0.5</b>
Humedad relativa	<b>&lt;85%</b>
Temperatura del entorno	<b>0°C~+40°C</b>
Intensidad del campo magnético externo	<b>&lt;400A/m</b>
<b>No se permiten llamas abiertas alrededor</b>	

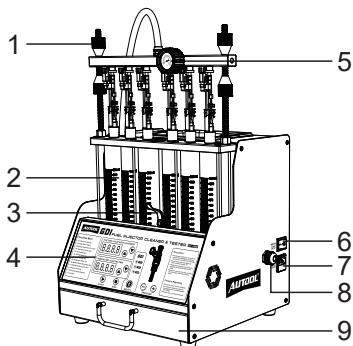
### Parámetros técnicos

Capacidad de Tanque de combustible	<b>3000ml</b>
Monto de tubería de prueba	<b>110ml</b>
Rango RPM	<b>0~7500RPM</b>
Rango de tiempo	<b>0~9900times</b>
Ancho de Pulso PWM	<b>0~20ms</b>

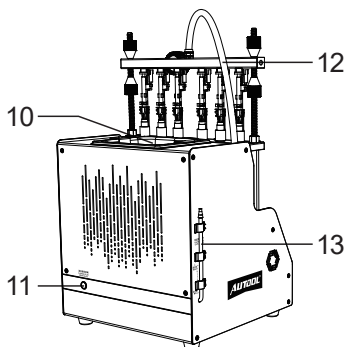
Presión de sistema	<b>0~0.55Mpa (adjustable)</b>
Tiempo	<b>0~10min</b>
Potencia de limpieza ultrasónica	<b>28KHZ ±0.5KHZ</b>
Tamaño del producto	<b>335*325*350mm</b>
Tamaño del paquete	<b>410*410*445mm</b>
Peso	<b>16.6kg</b>

## ESTRUCTURA DEL PRODUCTO

Diagrama de Estructura

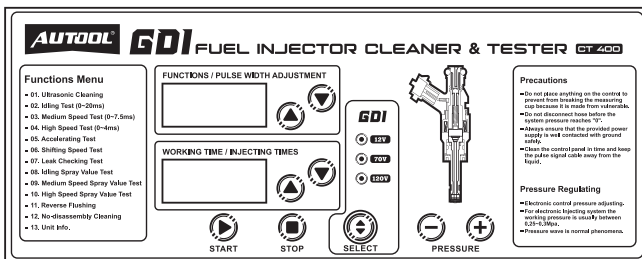


1	Tuerca de bloqueo	2	Tubería de prueba
3	Botón de drenaje	4	Panel de control
5	Manómetro	6	Perilla de encendido
7	Toma de alimentación	8	Cable de señal de Pulso
9	Cajón portátil		



10	Bañera de limpieza ultrasónica	11	Válvula para drenar el agente de limpieza
12	Tubería de salida de aceite	13	Nivel de líquido del agente de prueba

## Diagrama del panel de operaciones



- **Visualización del ancho de pulso**  
Opciones de función y ajuste del ancho de pulso.
- **Visualización de las horas de trabajo/tiempos de inyección**  
Mostrar las horas de trabajo y los tiempos de inyección de los inyectores.
- **Tecla de inicio**  
Pulse para ejecutar el ítem de trabajo seleccionado.
- **Botones de selección del menú de funciones**
- **Tecla de Pausa**  
Púlsela para detener temporalmente el ítem de trabajo seleccionado.
- **Botón de ajuste de tiempo y frecuencia**  
Ajuste el tiempo de trabajo y la frecuencia de pulverización del inyector de combustible.
- **Tecla de Parada**  
Parar el ítem de trabajo seleccionado y vuelva al ítem de trabajo seleccionado.
- **Botón de ajuste de disminución de la presión**
- **Botón de ajuste de aumento de presión**
- **Texto de descripción del menú de funciones**

### Cómo utilizar el botón de drenaje

- Al realizar los ítems de trabajo 8, 9 y 10, presione el botón para cerrar la válvula de drenaje. A continuación, el aceite inyectado por los inyectores de combustible se cierra en el tubo de vidrio, a fin de comparar la cantidad de aceite inyectado por cada inyector de combustible. Después de la observación, abra la válvula de drenaje de aceite y devuelva el líquido de prueba al tanque de aceite.

## PROCESO DE OPERACIÓN

---

### Limpieza ultrasónica

El limpiador de inyectores aprovecha la penetrabilidad y la onda de impacto de la cavidad causada por las ondas ultrasónicas que viajan a través del medio para proporcionar una potente limpieza en objetos con formas complejas, cavidades y poros para poder eliminar los depósitos de carbono más resistentes de los inyectores.

#### Preparación

- Retire el inyector del motor del vehículo para comprobar si las juntas de goma del interior están dañadas. Sustituya las juntas de goma dañadas por otras del mismo tipo para evitar fugas durante las pruebas. Ponga el exterior de los inyectores en gasolina o detergente, y límpielos con un paño suave después de limpiar cuidadosamente los lodos de aceite del exterior.
- Encienda el equipo.

#### NOTE

- ▶ Habrá una demora de varios segundos cuando este dispositivo se reinicie después de una larga desconexión de energía.
- Saque el soporte de limpieza de la caja de accesorios, luego póngalo en la bañera de ultrasonidos, y coloque el inyector de combustible limpio en el orificio de posicionamiento del soporte de limpieza en el baño de ultrasonidos.

#### Pasos de operaciones

- Agregue el líquido de limpieza del inyector apropiado en la bañera ultrasónica, que se sumerge ligeramente sobre el soporte de limpieza estará bien.
- Encienda el interruptor de ultrasonidos en el lado derecho de la unidad principal para iniciar la limpieza por ultrasonidos.
- Durante el proceso de limpieza por ultrasonidos, las señales de pulso se pueden introducir en el inyector de combustible.

#### Pasos

- Enchufe los cables de la señal de pulso del inyector en los inyectores respectivamente en turno. (Los inyectores especiales necesitan ser conectados con cables adaptadores).

- Presione las teclas de selección de ítems arriba y abajo para seleccionar el ítem "01 Limpieza Ultrasónica", y luego presione las teclas de tiempo de trabajo arriba y abajo para ajustar el tiempo. (El sistema viene por defecto con 10 minutos, si necesita modificar el tiempo, puede hacerlo con las teclas arriba y abajo).
- Pulse la tecla de ejecución, y el sistema comienza a introducir señales de pulso. Cuando termine la limpieza, saque los inyectores de la cuba de ultrasonidos. Limpie el líquido de limpieza con un paño suave y prepárese para la siguiente operación.

**⚠ NOTA**

- ▶ Durante el proceso de limpieza, usted puede escuchar la vibración intermitente cuando saca el inyector de combustible y lo pone cerca de su oído, lo que puede determinar si el inyector tiene una señal de pulso.
- ▶ Antes de añadir el detergente para inyectores en el limpiador ultrasónico, no encienda el limpiador ultrasónico. De lo contrario, se pueden producir daños.
- ▶ Sólo se puede añadir al tanque de ultrasonidos el líquido limpiador de ultrasonidos correspondiente a la máquina, y no se puede utilizar otro líquido limpiador en su lugar, de lo contrario, el revestimiento de la superficie del equipo y la máscara se despegarán, lo que no estará cubierto por la garantía.

**Funciones de prueba**

Esta función es para detectar la pulverización, el goteo, el bloqueo, el ángulo de inyección de combustible de los inyectores de combustible y la cantidad y la uniformidad de la inyección de combustible de cada inyector de combustible en diferentes RPM.

**Preparación**

- Añadir el líquido de prueba. Vierta el líquido de prueba desde el puerto de llenado.
- Instalación de los inyectores de combustible.

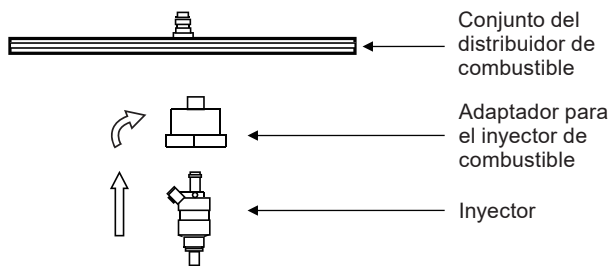


Diagrama esquemático de la instalación del inyector

- Instale el adaptador del inyector y el enchufe en el conjunto del distribuidor de combustible.
- Instale el inyector de combustible en la dirección de avance. (Aplique un poco de grasa en el anillo "O" del inyector de combustible).
- Instale el conjunto del distribuidor de combustible y los inyectores de combustible en la placa de montaje superior y apriételo y fíjelo con una tuerca de tornillo fija y un manguito de tornillo fijo. Prepárese para la prueba.
- Seleccione 12V / 70V / 120V según el tipo de inyector.

## Pasos

### ítem 02 Prueba de velocidad de ralentí

- Conecte el conector rápido de la manguera de salida negra de la máquina con el conector del extremo macho del conjunto del distribuidor de combustible, e introduzca la línea de impulsos del inyector de combustible.
- Pulse las teclas de selección de elementos hacia arriba y hacia abajo para seleccionar el elemento "02 Prueba de velocidad de ralentí".
- Presione las teclas de tiempo de trabajo hacia arriba y hacia abajo para ajustar el tiempo. (Normalmente se ajusta a 10 minutos).
- Pulse la tecla "run" para comenzar a trabajar.
- Gire la perilla de ajuste de presión para ajustar la presión a 2-5kg. (En el sistema de pulverización electrónica, la presión del aceite es generalmente de 2-5kg).

- Pulse las teclas arriba y abajo para seleccionar el ancho de pulso adecuado. (El sistema viene por defecto a 3ms, generalmente se ajusta a 3ms).
- El tiempo de trabajo disminuirá gradualmente, y cuando llegue a 0, el sistema se detendrá automáticamente.

### **03 Prueba de velocidad media**

- Pulse las teclas de selección de elementos arriba y abajo para seleccionar el elemento "03 test de velocidad media".
- Pulse el botón RUN.
- El resto de los pasos de operación son consistentes con el ítem 02.

### **04 Prueba de alta velocidad**

- Pulse las teclas de selección de elementos arriba y abajo para seleccionar el elemento "04 Prueba de alta velocidad".
- Pulse el botón RUN.
- El resto de los pasos de operación son consistentes con el ítem 02.

### **05 Prueba de Aceleración**

- Utilice las teclas de flecha arriba y abajo para seleccionar "Ítem 05 - Prueba de Aceleración".
- Presione la tecla de Inicio para comenzar la prueba.

#### **⚠ NOTA**

- ▶ La presión del combustible, el tiempo de trabajo y el ancho de pulso se establecen automáticamente por el sistema. El tiempo del sistema está preestablecido en 10 segundos como un ciclo, y los usuarios pueden ajustarlo según sea necesario.
- ▶ El sistema realizará automáticamente tres ciclos continuos para simular el funcionamiento del inyector de combustible y la cantidad de inyección de combustible durante la aceleración uniforme.

### **06 Prueba de velocidad variada**

- Utilice las teclas de flecha arriba y abajo para seleccionar "Ítem 06 - Prueba de Velocidad Variable".



- Presione la tecla de Inicio para comenzar la prueba.

**⚠ NOTA**

- ▶ La presión del combustible, el tiempo de trabajo y el ancho de pulso se establecen automáticamente por el sistema. El tiempo del sistema está preestablecido en 10 segundos como un ciclo, y los usuarios no necesitan ajustarlo por separado.
- ▶ El sistema realizará automáticamente tres ciclos continuos para simular el funcionamiento del inyector de combustible y la cantidad de inyección de combustible durante la aceleración uniforme.

---

### **07 Prueba de estanqueidad**

- Pulse las teclas de selección de ítems arriba y abajo para seleccionar el ítem "07 Prueba de estanqueidad".
- Pulse las teclas de selección del tiempo de trabajo para ajustar el tiempo. (Generalmente se ajusta a 1 minuto)
- Los restantes pasos de operación son consistentes con el ítem 02.

**⚠ NOTA**

- ▶ El sistema de ancho de pulso está preconfigurado a 3ms, no es necesario ajustarlo de nuevo.
- ▶ Simula si los inyectores de combustible gotean y pierden cuando la presión del aceite del vehículo es de 0,3Mpa.

---

### **08 Prueba de la cantidad de inyección de combustible al ralentí**

- Pulse las teclas de selección de ítems arriba y abajo para seleccionar el ítem "08 Prueba de cantidad de inyección de combustible al ralentí".
- Los restantes pasos de la operación son coherentes con el ítem 02.

**⚠ NOTA**

- ▶ Simula la condición de trabajo y la cantidad de inyección del motor al ralentí cuando los inyectores trabajan un determinado número de veces.

---

### 09 Prueba de volumen de pulverización de velocidad media

- Pulse las teclas de selección de ítems arriba y abajo para seleccionar el ítem “09 Volumen de pulverización de velocidad media”.
- El resto de los pasos de operación son consistentes con el ítem 08.

---

### 10 Prueba de volumen de pulverización de alta velocidad

- Pulse las teclas de selección de ítems arriba y abajo para seleccionar el ítem “10 Volumen de pulverización de alta velocidad”.
- El resto de los pasos de operación son consistentes con el paso 08.

#### **NOTA**

#### ► **Uniformidad**

Esto es para comprobar la uniformidad llevada a cabo a varias rpm. Cuando el nivel del líquido de prueba está a 2/3 del tubo de ensayo, por favor, haga una pausa o detenga la máquina para observar la uniformidad de la cantidad de inyección. La diferencia de inyección de todos los inyectores en un vehículo debe mantenerse dentro del 2%. O consulte el manual técnico correspondiente del inyector de combustible para determinar a uniformidad de la cantidad de inyección.

#### ► **Observar la forma de los inyectores**

Observe si las formas y los ángulos de inyección de todos los inyectores de combustible del mismo vehículo son idénticos a distintas velocidades. Al mismo tiempo, puede ajustar la anchura del pulso de inyección de los inyectores de combustible para comparar si la anchura mínima del pulso de inyección entre los inyectores de combustible es consistente.

#### ► **Prueba de estanqueidad**

La prueba de estanqueidad consiste en inspeccionar las condiciones de sellado de la válvula de aguja del inyector bajo la presión del sistema. (Observar la estanqueidad de los inyectores de combustible, generalmente, no debe haber fugas en un minuto).

---

### **11 Prueba de lavado inverso**

- Pulse las teclas de selección de ítems hacia arriba y hacia abajo para seleccionar "11 Reverse Flush", e instale los inyectores en la dirección opuesta para su limpieza.
- 

### **12 ítems de limpieza totalmente automática**

- Por favor, conecte a varias piezas especiales que pueden limpiar la cámara de combustión o el acelerador.

## ALMACENAMIENTO Y MANTENIMIENTO

---

### Ordenar

- Apague la alimentación y desenchufe el enchufe de alimentación.
  - Vuelva a colocar todos los conectores en la caja de accesorios para su almacenamiento.
  - Escurra el agente de limpieza ultrasónico. Limpie el equipo con un paño suave y seco.
  - Si no se utiliza durante mucho tiempo, abra la válvula del líquido de prueba y drene el líquido de prueba de nuevo en la botella original para su conservación sellada.
- 

- **Reemplazo del agente de prueba**

Las impurezas pueden acumularse en el líquido de prueba después de ser utilizado durante un período de tiempo. No utilice líquido de prueba contaminado, de lo contrario, los inyectores y las bombas de combustible pueden bloquearse. Vacíe el líquido de prueba retirando el indicador de nivel situado a la izquierda de la unidad principal. Es mejor limpiar el depósito de combustible con un poco de líquido de prueba antes de llenar el depósito con el nuevo líquido. Después de la limpieza, vuelva a cerrar la válvula del líquido de prueba y vierta el nuevo líquido de prueba.

- **Reemplazo de fusibles**

Hay una caja cuadrada marcada con un fusible en la toma de corriente en el lado izquierdo del dispositivo, y el fusible se puede ver abriendo la caja. Si está quemado, reemplácelo por uno nuevo (5A).

## SERVICIO DE MANTENIMIENTO

---

Nuestros productos están hechos de materiales duraderos, e insistimos en un proceso de producción perfecto. Cada producto sale de la fábrica después de 35 procedimientos y 12 veces de pruebas y trabajos de inspección, lo que garantiza que cada producto tenga una excelente calidad y rendimiento.

---

### Mantenimiento

Para mantener el rendimiento y la apariencia del producto, se recomienda que se lean cuidadosamente las siguientes pautas de cuidado del producto:

- Tenga cuidado de no frotar el producto contra superficies ásperas o desgastar el producto, especialmente la carcasa de chapa
- Compruebe regularmente las piezas del producto que deben apretarse y conectarse. Si se encuentra suelto, apriete a tiempo para garantizar el funcionamiento seguro del equipo. Las partes externas e internas del equipo en contacto con diversos medios químicos deben tratarse con frecuencia con tratamiento anticorrosión, como la eliminación de óxido y la pintura, para mejorar la resistencia a la corrosión del equipo y prolongar su vida útil.
- Cumplir con los procedimientos de operación segura y no sobrecargar el equipo. Los protectores de seguridad de los productos son completos y fiables.
- Los factores inseguros deben eliminarse a tiempo. La parte del circuito debe revisarse a fondo y los cables envejecidos deben reemplazarse a tiempo.
- Ajuste el espacio libre de varias piezas y reemplace las piezas desgastadas (rotas). Evite el contacto con líquidos corrosivos.
- Cuando no esté en uso, guarde el producto en un lugar seco. No guarde el producto en lugares cálidos, húmedos o sin ventilación.

## GARANTÍA

---

A partir de la fecha de recepción, ofrecemos una GARANTÍA de 3 años para la unidad principal y todos los accesorios incluidos están cubiertos por una garantía de 1 año.

---

### Acceso a la garantía

- La reparación o sustitución de productos viene determinada por la situación real de avería del producto.
- Está garantizado que AUTOOL utilizará un nuevo componente, accesorio o dispositivo en términos de reparación o reemplazo.
- Si el producto falla dentro de los 90 días después de la recepción del cliente, el comprador debe proporcionar tanto el video como la imagen, y nosotros asumiremos los costos de envío y proporcionaremos los accesorios para que el cliente lo reemplace de forma gratuita. Mientras el producto ha sido recibido más de 90 días, el cliente cubrirá el costo apropiado y proporcionaremos las piezas al cliente para su reemplazo de forma gratuita.

### Estas condiciones a continuación no estarán en el rango

- El producto no se compra a través de canales oficiales o autorizados.
- El desglose del producto porque el usuario no sigue las instrucciones del producto para usar o mantener el producto.

---

AUTOOL nos enorgullecemos de un excelente diseño y excelente servicio. Sería un placer para nosotros proporcionarle más apoyo o servicios.

---

### Descargo de responsabilidad

Toda la información, ilustraciones y especificaciones contenidas en este manual, AUTOOL se reserva el derecho de modificar este manual y la propia máquina sin previo aviso. La apariencia física y el color pueden diferir de lo que se muestra en el manual, consulte el producto real. Se ha hecho todo lo posible para que todas las descripciones en el libro sean precisas, pero inevitablemente hay inexactitudes, en caso de tener cualquier duda, comuníquese con su distribuidor o centro de post servicio de AUTOOL, no somos responsables de las consecuencias que surjan de malentendidos.

## SERVICIO DE DEVOLUCIÓN Y CAMBIO

---

### Devolución & Cambio

- Si usted es un usuario de AUTOOL y no está satisfecho con los productos AUTOOL comprados en la plataforma de compras autorizada en línea y en los distribuidores autorizados fuera de línea, puede devolver los productos dentro de los siete días a partir de la fecha de recepción; o puede cambiarlo por otro producto del mismo valor dentro de los 30 días a partir de la fecha de entrega.
- Los productos devueltos y cambiados deben estar en condiciones totalmente vendibles con la documentación de la factura de venta correspondiente, todos los accesorios relevantes y el embalaje original.
- AUTOOL inspeccionará los artículos devueltos para asegurarse de que están en buenas condiciones y son elegibles. Cualquier artículo que no pase la inspección se le devolverá y no recibirá un reembolso por el artículo.
- Puede cambiar el producto a través del centro de atención al cliente o distribuidores autorizados de AUTOOL; la política de devolución y cambio es devolver el producto desde donde se compró. Si hay dificultades o problemas con su devolución o cambio, póngase en contacto con el servicio de atención al cliente de AUTOOL.

<b>China</b>	400-032-0988
<b>Otros países</b>	+86 0755 23304822
<b>Correo electrónico</b>	aftersale@autooltech.com
<b>Facebook</b>	<a href="https://www.facebook.com/autool.vip">https://www.facebook.com/autool.vip</a>
<b>YouTube</b>	<a href="https://www.youtube.com/c/autooltech">https://www.youtube.com/c/autooltech</a>

# 目 录

---

版权信息.....	37
版权.....	37
注册商标.....	37
注意事项.....	38
警告.....	38
产品简介.....	40
产品介绍.....	40
主要功能.....	40
主要特点.....	40
工作环境.....	41
技术指标.....	41
产品结构.....	42
整机结构.....	42
控制面板说明.....	43
操作过程说明.....	44
超声波清洗.....	44
测试功能.....	45
维护.....	49
整理.....	49
维护.....	49
维修保养服务.....	50
维修保养.....	50
保修服务.....	51
保修方式.....	51
声明.....	51
退换货服务.....	52
退换货.....	52



## 版权信息

---

### 版权

- 版权所有! 未征得深圳市偶然科技有限公司的书面同意, 任何公司或个人不得以任何形式 (电子、机械、影印、录制或其他形式) 对本说明书进行复制和备份。本手册专为偶然公司产品的使用而计, 对于将之用于指导其他设备操作而导致的各种后果, 本公司不承担任何责任。
- 因使用者个人或第三方的意外事故, 滥用、误用该设备, 擅自更改, 或修理该设备, 或未按偶然公司的操作与保养要求而导致设备损坏、遗失所产生的费用及开支等, 偶然公司及其分支机构不承担任何责任。
- **正式声明:** 本说明书所提及之其他产品名称, 目的在于说明该设备如何使用, 其注册商标所有权仍属原公司。
- 本设备供专业技术人员或维修人员使用。

### 注册商标

偶然公司已在中国及海外若干国家进行了商标注册, 其标志为 **AUTOOL**。本手册所提及之偶然公司其它商标、服务标志、域名、图标、公司名称均属偶然及其下属公司之产权。在偶然公司之商标、服务标志、域名、图标、公司名称还未注册之国家, 偶然公司声明其对未注册商标、服务标志、域名、图标、公司名称之所有权。本手册所提及之其它产品及公司名称的商标仍属于原注册公司所有。在未得到拥有人的书面同意之前, 任何人不得使用偶然公司或所提及的其它公司之商标、服务标志、域名、图标、公司名称。

您可以访问偶然网址: [www.autooltech.com](http://www.autooltech.com), 或发送邮件至: [aftersale@autooltech.com](mailto:aftersale@autooltech.com), 与偶然公司进行联系, 征得其手册使用权之书面同意。

## 注意事项

---

### 警告

#### ⚠ 重要的安全说明:

- ▶ 在使用仪器之前,请仔细阅读本说明书,以便正确操作。
- ▶ 触摸设备或发动机发热部位时要小心。
- ▶ 如电源线有破损请不要开机使用,设备摔落或受损时请在专业人员检查后才可使用。
- ▶ 不要让电源线悬挂在桌边、椅边、柜台边,也不要接触热的部分或正在转动的风扇页。
- ▶ 如需扩充的电源线,电源线的等级要大于等于原设备电源线。比设备原电源线等级差的电源线会过热。
- ▶ 不使用设备时不要连接电源线插头。不要通过拉电源线来拔插头,应用手将插头取下。
- ▶ 存放设备前应让设备完全冷却,并且将线松软的绕好。
- ▶ 本仪器所选用的清洗液系易燃、弱挥发性液体,在清洗过程中严禁烟火。
- ▶ 仪器应放在无阳光直射且通风良好的房间内,并张贴“严禁烟火”和“易燃品危险警告”标志。
- ▶ 操作者的头发、衣服、手指或身体其他部位应远离设备运转部位。
- ▶ 为了防止受电击,不要在潮湿的部位接触工作中的设备或在雨中操作设备。
- ▶ 请按手册中的方法操作设备。使用生产商推荐的附件。
- ▶ 在超声波清洗池未加超声波清洗液的情况下,严禁打开超声波系统,否则容易损坏超声波设备。
- ▶ 设备机壳必须可靠接地。
- ▶ 汽车尾气中含有多种有毒有害气体(如一氧化碳、碳化氢、氮氧化物等),测试时要将其引到室外并保持室内良好通风。
- ▶ 汽车发动机排气管和水箱等部件温度较高,勿碰,以防灼伤。

- ▶ 免拆清洗时，被清洗车辆要拉好手制动，并将变速器置于空档，同时挡好前轮。
- ▶ 操作时要戴安全防护眼镜。日常用的眼镜不是安全的眼镜。
- ▶ 断开有压力的燃油管接头时要用毛巾捂住接头，以防燃油窜出伤人及引起火灾。
- ▶ 本设备主机使用检测液，免拆清洗使用清洗液。超声波清洗使用专用的超声波清洗液，若没有，可以用本设备配备的清洗液代替。
- ▶ 由于测试装置部分为石英玻璃，易破碎，因此不要在设备周围放置其它物品，以免磕碰造成破碎。
- ▶ 通电后若无数字显示（可能存在数秒延迟），请检查电源是否有电；如有，请检查插头是否接牢，或者检查保险管是否熔断。如没断，且断续按动开关几次仍无效，请与当地经销商联系，切不可自行拆开，否则我公司将不予保修。
- ▶ 在超声槽内没有添加清洗液时，严禁打开超声波清洗项目，以免空打造成超声系统损坏。
- ▶ 测试液每次更换时，必须全部排空，然后再添加1000ml测试液。
- ▶ 使用不合格的测试液将造成泵浦、供油管路腐蚀和压力表失灵。
- ▶ 使用其它清洗液与测试液将造成设备表面涂层剥落。
- ▶ 严禁使用煤油、汽油、天那水和其它测试液与清洗液等作为本机的测试液和清洗液使用。否则将会使设备内的“O”型圈。管路橡胶件等损坏，造成泄漏。
- ▶ 清洗液与测试液不可混着使用。
- ▶ 请将本机置于平面上使用，由四个底脚支撑机身重量，否则造成超声波清洗槽的损坏，不属保修范围。

## 产品简介

---

### 产品介绍

喷油嘴清洗检测仪是采用超声波清洗技术与微电脑油压闭环控制清洗检测技术相结合的一种机电一体化产品。该产品可以模拟发动机的各种工况，对各种汽车的喷油嘴进行清洗、检测，同时还可以对汽车喷油嘴及供油系统进行免拆清洗。该设备是汽车修理行业、养护、研究及教学培训部门的必备和首选设备。

---

### 主要功能

- **超声波清洗:** 可同时对单个或多个喷油嘴进行超声波清洗，能彻底清除喷油嘴的积碳。
  - **均匀性检测:** 检测各个喷油嘴喷油量的均匀性。
  - **雾化性观测:** 利用背景灯，可全面仔细地观察喷油嘴的喷射雾化情况。
  - **密封性测试:** 可检测喷油嘴在高压下的密封性和滴漏情况。
  - **喷油量检测:** 可以检测喷油嘴在特定的工况参数下(如相同时间、相同次数)的喷油量。
  - 全新开发的GDI喷油嘴驱动软件，可以驱动12V、70V、120V高压喷油嘴。
- 

### 主要特点

- 采用超声波强力清洗技术，清洗能力强。
  - 采用电子调压控制技术，油压稳定，可调范围宽。
  - 采用高清晰数码管显示，操作直观，简便易学。
  - 油箱液位直观显示，测试液可循环使用。
  - LED明亮背景光，可清晰观看喷油嘴工作时的各种情况。
  - 拥有专利并适用于多种车型的可更换复合式适配接头。
  - 在允许调节范围内可任意调整喷油嘴的测试时间、脉冲宽度。
-

工作环境

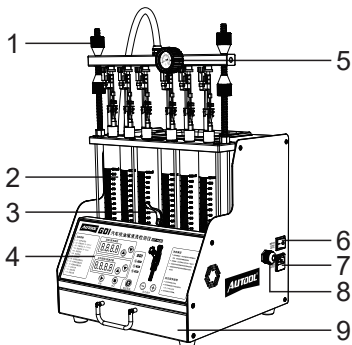
环境温度	0°C ~ +40°C
相对湿度	<85%
外磁场强度	<400A/m
周围 2m 以内严禁明火	

技术指标

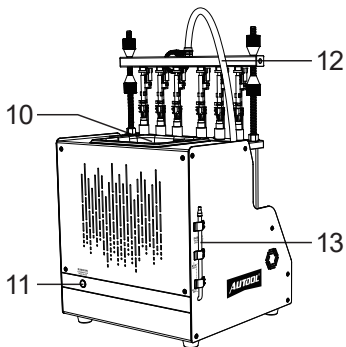
电源	AC 110V/220V ±10%
频率	50~60HZ ±0.5
油箱容积	3000ml
测试管容积	110ml
转速范围	0~7500RPM
喷油次数	0~9900次
PWM脉宽	0~20ms
系统压力	0~0.55Mpa 可调
时间设置	0~10min
超声波清洗功率	28 KHZ ±0.5KHZ
产品尺寸	335x325x350mm
包装尺寸	410x410x445mm
产品重量	16.6kg
包装重量	18Kg

## 产品结构

### 整机结构

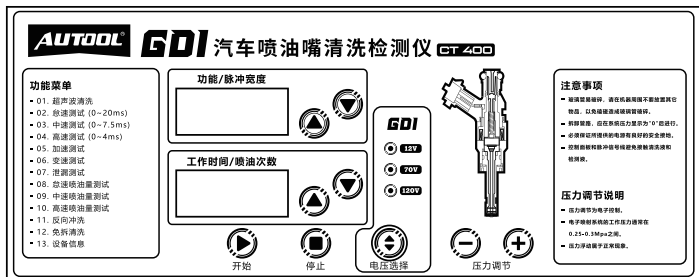


1	滚花螺杆	2	玻璃测试量筒
3	排油阀	4	控制面板
5	压力表	6	电源开关
7	电源插口	8	脉冲信号线
9	收纳抽屜		



10	超声波清洗槽	11	清洗液排油阀
12	供油管	13	检测液视窗

控制面板说明



- **功能/脉冲宽度:** 显示功能选项或脉冲宽度。
- **工作时间/喷油次数:** 显示喷油嘴工作时间或喷油次数。
- **功能菜单选择按钮:** 选择功能选项或调整脉冲宽度。
- **时间次数调整按钮:** 调整喷油嘴工作时间和喷油次数。
- **开始键:** 按下后执行所选工作项目。
- **停止键:** 停止所选工作项目并返回所选工作项目。
- **选择键:** 喷油嘴电压选择。
- **压力减小调整按钮**
- **压力增加调整按钮**

**排油阀使用方法:**

- 当需要观察喷油量时，按下排油阀。可将喷油嘴喷出的测试液保持在玻璃管内，对比每个喷油嘴喷出的油量多和少。观察完后再打开排油阀，测试液将回流到油箱。

## 操作过程说明

---

**超声波清洗** 超声波清洗是利用超声波在介质中传播时产生的穿透性和空化冲击波，对喷油嘴内部积碳产生强烈抖动，已达到彻底清除喷油嘴上的顽固积碳的效果。

### 准备工作

- 从车上拆下喷油嘴，检查其橡胶密封圈是否损坏，如有损坏，应在清洗测试前及时更换，以免测试时发生泄露。再将喷油嘴放入汽油或清洗液中，仔细清除外部油污后用软布擦拭干净。
- 接通电源。

### ⚠ 注意

- ▶ 本设备长时间断电后重启，会有数秒钟的延迟。
- 从配件箱中取出清洗支架，放入超声槽内，并将擦拭干净的喷油嘴放在超声槽的清洗支架定位孔中。

### 方法与步骤：

#### 01项 超声波清洗

- 在超声槽内加入适量的清洗液，一般清洗液以漫过清洗支架即可。
- 打开位于主机右面的超声波开关，开始超声波清洗。
- 超声波清洗过程中，可以给喷油嘴输入脉冲信号。方法是：
  1. 将驱动线任意插头依次插入喷油嘴插孔。（特殊喷油嘴需要配用转接线连接）。
  2. 按项目选择上下键选定“01 超声波清洗”项，然后按工作时间上下键设定时间。（系统预设10分钟，如需修改时间可通过上下键改变）
  3. 按工作键，系统开始输入脉冲信号。  
清洗结束后，从超声槽中拿出喷油嘴，用软布擦净上面的清洗剂，准备下一项工作。



**⚠ 注意**

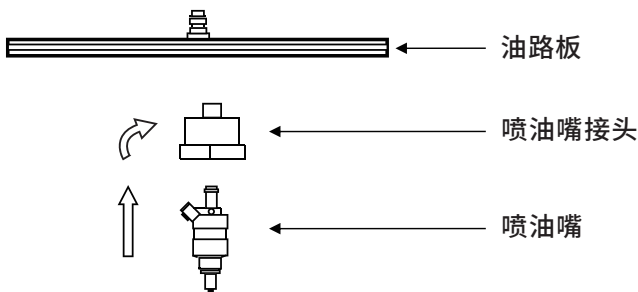
- ▶ 在清洗的过程中，将喷油嘴拿出放在耳边可以听到间歇性的震动声，从而可以判断喷油嘴是否有脉冲信号。
- ▶ 超声槽内无清洗液时严禁进行超声波清洗以免造成设备损坏。
- ▶ 超声槽内只能加入与本机配套的超声波清洗液，不能使用其它试剂代替，否则将会造成设备表面涂层、面膜剥落，将不在保修范围之内。

**测试功能**

此功能是检测喷油嘴的雾化、滴漏、阻塞、喷油角度状况及每个喷油嘴在不同转速下喷油量大小和均衡性。

**准备工作**

- **添加测试液**  
将测试液从加液口倒入。
- **喷油嘴的安装**  
喷油嘴安装



**喷油嘴安装示意图**

1. 将喷油嘴接头、油路板堵头装入油路板。
2. 正向安装喷油嘴。(把喷油嘴的“O”形圈上涂少许润滑脂)
3. 将油路板和喷油嘴安装在上板座上，用固定镙杆和固定镙套旋紧固定。准备测试。

4. 根据喷油嘴类型选择12V / 70V / 120V。

### 方法与步骤:

#### 02项 怠速测试

- 将机器上黑色出油管的快速接头与油路上的公端接头连接好，插好喷油嘴驱动线。
- 按项目选择上下键选定“02 怠速测试”项。
- 按工作时间上下键设定时间。（一般设定为10分钟）
- 按工作键开始工作。
- 旋转压力调节旋钮，使压力调至2-5公斤。（在电子喷射系统中，一般油压工作在2-5公斤）
- 按上下键选择合适的脉宽。（系统预设为3ms，一般调整为3ms）。
- 工作时间逐渐减少，当为0时，系统自动停止。

#### 03项 中速测试

- 按项目选择上下键选定“03 中速测试”项。
- 按工作键即可。
- 其余操作步骤与02项一致。

#### 04项 高速测试

- 按项目选择上下键选定“04 高速测试”项。
- 按工作键即可。
- 其余操作步骤与02项一致。

#### 05项 加速测试

- 按项目选择上下键选定“05 加速测试”项。
- 按工作键即可。

### ⚠ 注意

- ▶ 燃油压力、工作时间和脉宽系统自动设置，时间系统预设10s为一个循环周期，用户可设置。
- ▶ 系统将自动连续循环三次模拟发动机在匀加速时喷油嘴的工作状况和喷油量。

### 06项 变速测试

- 按上下键选定“06 变速测试”项。
- 按工作键即可。

#### ⚠ 注意

- ▶ 燃油压力、工作时间和脉宽系统自动设置，时间系统预设为10s一个循环周期，用户不必另外设置。
- ▶ 系统将自动连续循环三次模拟发动机在怠速、中速、高速时的喷油嘴工作状况和喷油量。

### 07项 检漏测试

- 按项目选择上下键选定“07 检漏测试”项。
- 按工作时间上下键设定时间。（一般设定为1分钟）
- 其余操作步骤与02项一致。

#### ⚠ 注意

- ▶ 脉宽系统预设为3ms，无需再设定。
- ▶ 模拟车辆油路压力在0.3Mpa时喷油嘴是否有滴漏现象。

### 08项 怠速喷油量测试

- 按项目选择上下键选定“08 怠速喷油量测试”项。
- 其余操作步骤与02项一致。

#### ⚠ 注意

- ▶ 模拟发动机在怠速时，喷油嘴工作一定次数时的工作状况和喷油量。

### 09项 中速喷油量测试

- 按项目选择上下键选定“09 中速喷油量测试”项。
- 其余操作步骤与08项一致。

## 10项 高速喷油量测试

- 按项目选择上下键选定“10 高速喷油量测试”项。
- 其余操作步骤与08项一致。

### ⚠ 注意

#### ▶ 流量均衡性

在不同转速下进行流量均衡性测试，当量筒内检测液液面处于量筒2/3时，暂停或停止工作，观测喷油量的均衡性。对于一辆车上的所有喷油嘴的喷油量偏差不应超过2%。或参照喷油嘴的相关技术手册，来判断喷油嘴的流量均衡性。

#### ▶ 喷油形状观察

在各种转速下观察同一车上所有喷油嘴的喷油形状、角度是否均匀一致。同时可以调整喷油嘴开启脉宽，检查喷油嘴的最小开启脉宽是否一致。

#### ▶ 检漏测试

检漏测试是检测喷油嘴在系统高压下喷油嘴针阀的密封性。  
(观测喷油嘴密封性，一般一分钟内不应有泄漏)

---

## 11项 反向清洗

- 按项目选择上下键选定“11 反向清洗”，将喷油嘴反方向安装进行清洗。

## 12项 免拆清洗

- 连接好各种专用部件可以清洗燃烧室或节气门。

## 维护

---

### 整理

- 关闭电源，拔下电源插头。
  - 将所有接头放回配件盒内，以便保存。
  - 把超声波清洗液放回原瓶中密封，并用干软布把设备擦拭干净。
  - 如长期不用，打开测试液阀将油箱中的测试液放回原瓶中密封保存。
- 

### 维护

#### 测试液更换

- 当测试液使用一段时间后，会积累很多杂质，含有污物的测试液不能使用，否则容易堵塞喷油嘴。更换测试液时，先将测试液阀打开放出测试液，放净后，再注入少许干净测试液对内部进行清洗。清洗结束后，重新关闭测试液阀，倒入新的测试液。

#### 保险管更换

- 在设备左面电源插座处有一标有保险管的方盒，拉开方盒即可看到保险管。如熔断，更换新的即可（5A）。

## 维修保养服务

---

您所拥有的AUTOOL产品选用持久耐用的材料，AUTOOL坚持精益求精的生产工艺，每一件产品出厂都经过35道工序及12次质检工作，从而确保每一件产品都拥有卓越的品质及性能。所以您的AUTOOL产品值得您定期维护保养，使其产品将能够长期稳定地工作。

---

### 维修保养

维护保养是为了保持产品性能和外观，我们建议您仔细阅读以下产品保养指南：

- 注意不要将产品与粗糙表面摩擦或揉搓产品，特别是钣金外壳。
- 对产品中需要紧固和连接的部位经常进行检查，如发现松动应及时紧固，以保证产品的安全运行。对与各种化学介质接触的产品外部和内部零件要经常进行除锈、喷漆等防腐处理，以提高产品的抗腐蚀能力，延长产品的使用寿命。
- 遵守安全操作规程，不超负荷使用产品。产品的安全防护装置齐全可靠，及时消除不安全因素。电路部分彻底检查，老化电线要及时更换。
- 定期清洗和更换易耗部件；调整各部位配合间隙和更换磨损（已坏）部件清洁时，避免产品接触带腐蚀性的液态物品。
- 不使用时，请将产品存放于干燥的位置。不要将产品存放在高温、潮湿或不通风的地方。

## 保修服务

---

AUTOOL主机自客户签收日起享有3年保修期。其所含附件自客户签收日起享有1年保修期。

---

### 保修方式

- 根据具体的故障情况对产品进行免费修理或更换；
- 我方保证所有更换的部件、附件或产品都是全新；
- 在客户收到产品90天内出现故障同时提供视频和图片，我方承担运费并免费提供相应配件给客户更换。收到产品超过90天，客户承担相应的费用，我方免费提供配件给客户更换；

#### 以下情况不在免费保修范围：

- 非正规渠道购买AUTOOL的产品；
- 未按产品说明书要求使用和维护造成的损坏；

---

在AUTOOL，我们为精湛的设计和卓越的服务感到自豪。我们很乐意为您提供更多的支持或服务。

---

### 声明

偶然公司保留更改产品设计与规格的权利，届时恕不另行通知。实物外观与颜色可能与说明书中显示的有差别，请以实物为准。我们已尽最大努力力求使书中所有描述准确，但仍难免有不妥之处。如有疑问，请联系经销商或偶然售后服务中心。本公司对产品拥有最终解释权，不承担任何因误解而产生的后果。

## 退换货服务

### 退换货

- 如果您对从线上授权购物平台和线下授权经销商所购买的 AUTOOL 产品不满意, 根据《AUTOOL 全球销售条款》, 您可以自收到产品之日起七日内退货; 或者在产品交付之日起的30日内调换等值的其他产品。
- 退回及调换的产品必须处于完全可销售状态, 并附上相关销售单单据, 所有相关配件、纸质发票 (如有)。
- AUTOOL 将会对寄回退货的商品进行检查, 以确保其处于完好无损的状态并且符合条件, 相关条件详情请参阅《AUTOOL 全球销售条款》。任何未通过检查的商品将退还给您, 您将不会获得商品退款。
- 您可以通过客户服务中心或AUTOOL授权经销商调换产品; 退换货原则为从哪里购买, 就从哪里退换货。如果您退换货遇见困难或者阻碍, 请联系AUTOOL客户服务中心。通过客户服务中心退换货时, 我们建议您通过下面的方式进行:

<b>中国区域致电</b>	400-032-0988 / 18929303778
<b>售后微信号</b>	18929303778
<b>海外区域致电</b>	+86 0755 23304822
<b>E-mail</b>	aftersale@autooltech.com
<b>Facebook</b>	<a href="https://www.facebook.com/autool.vip">https://www.facebook.com/autool.vip</a>
<b>YouTube</b>	<a href="https://www.youtube.com/c/autooltech">https://www.youtube.com/c/autooltech</a>

- 如您的退换货得到确认, 您将收到确认信息和邮件。