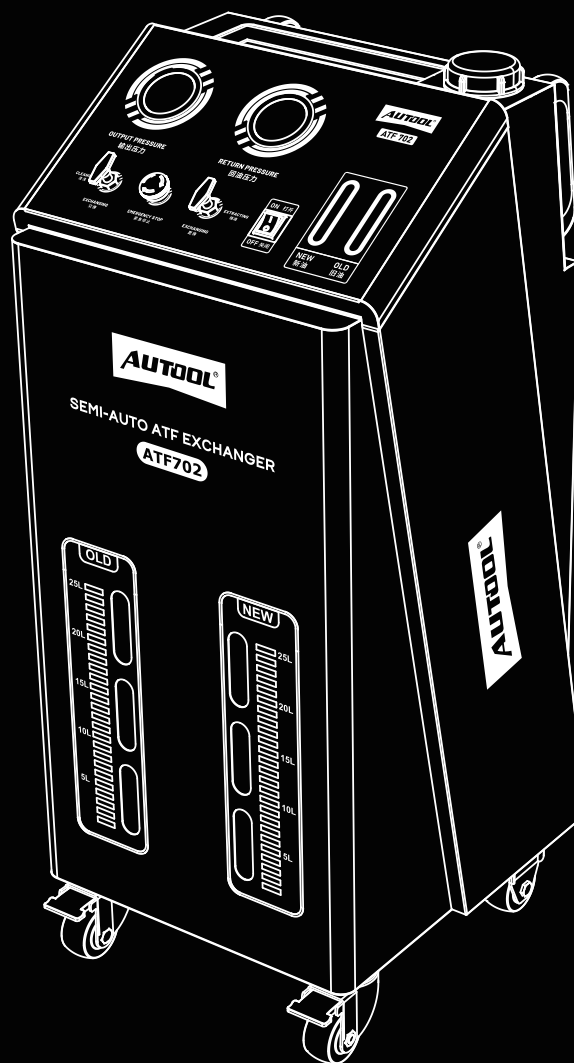


AUTOOL ATF702

Automatic Transmission Fluid (ATF) Exchanger

User Manual

用户手册





深圳市偶然科技有限公司

广东省深圳市宝安区航城锦驰产业园

📍 Hangcheng Jincheng Industrial Park, Bao'an, Shenzhen, China

🌐 www.autooltech.com

✉ aftersale@autooltech.com

☎ +86-755-2330 4822 / +86-400 032 0988



COPYRIGHT INFORMATION

Copyright

- All rights reserved by AUTOOL TECH. CO., LTD. No part of this publication may be reproduced, stored in a retrieval system, or transmitted in any form or by any means, electronic, mechanical, photocopying, recording or otherwise, without the prior written permission of AUTOOL. The information contained herein is designed only for the use of this unit. AUTOOL is not responsible for any use of this information as applied to other units.
 - Neither AUTOOL nor its affiliates shall be liable to the purchaser of this unit or third parties for damages, losses, costs, or expenses incurred by the purchaser or third parties as a result of: accident, misuse, or abuse of this unit, or unauthorized modifications, repairs, or alterations to this unit, or failure to strictly comply with AUTOOL operating and maintenance instructions.
 - AUTOOL shall not be liable for any damages or problems arising from the use of any options or any consumable products other than those designated as original AUTOOL products or AUTOOL approved products by AUTOOL.
 - Other product names used herein are for identification purposes only and may be trademarks of their respective owners. AUTOOL disclaims any and all rights in those marks.
-

Trademark

Manual are either trademarks, registered trademarks, service marks, domain names, logos, company names or are otherwise the property of AUTOOL or its affiliates. In countries where any of the AUTOOL trademarks, service marks, domain names, logos and company names are not registered, AUTOOL claims other rights associated with unregistered trademarks, service marks, domain names, logos, and company names. Other products or company names referred to in this manual may be trademarks of their respective owners. You may not use any trademark, service mark, domain name, logo, or company name of AUTOOL or any third party without permission from the owner of the applicable trademark, service mark, domain name, logo, or company name. You may contact AUTOOL by visiting AUTOOL at <https://www.autooltech.com>, or writing to aftersale@autooltech.com, to request written permission to use materials on this manual for purposes or for all other questions relating to this manual.

TABLE OF CONTENTS

Cautions	2
General safety	2
Product Introduction	3
Introduction	3
Specifications	3
Features	3
Product Structure	4
Structure diagram	4
Preparation Before Operation	5
Adding transmission fluid	5
Operating Steps	5
Cycle cleaning	5
ATF exchange	7
Discharging waste oil	8
Maintenance Service	9
Maintenance	9
Warranty	10
Warranty access	10
Disclaimer	10
Return & Exchange Service	11
Return & Exchange	11

CAUTIONS

General safety



For the correct use of the instrument, please read the full text of this manual carefully before use.

- ▶ Check the oil tank before exchanging the oil. Avoid working without enough transmission fluid or using inferior transmission fluid.
- ▶ All pipes must avoid contact with heated and rotating parts of the vehicle, such as cooling fans, radiators, etc.
- ▶ Oils other than transmission oil are prohibited from being added to the equipment.
- ▶ The equipment must be operated in a horizontal position while running to prevent the oil pump from not cleanly drawing the oil inside the tank.
- ▶ When the machine is working, the operator must constantly watch the machine and carry out corresponding operations in a timely manner.
- ▶ If the machine is not to be used for a long time, disconnect the power supply.

PRODUCT INTRODUCTION

- Introduction**
- The AUTOOL ATF702 semi-auto ATF exchanger is simple and convenient to operate, allowing you to complete the cleaning and refilling of new oil for the transmission, torque converter, and transmission radiator in just 20 minutes. It thoroughly replaces old and new oil, removing metal shavings and sludge impurities, with an oil change rate of over 90%. This ensures that the transmission remains “like new,” achieving the true purpose of maintenance for the transmission.
-

Specifications

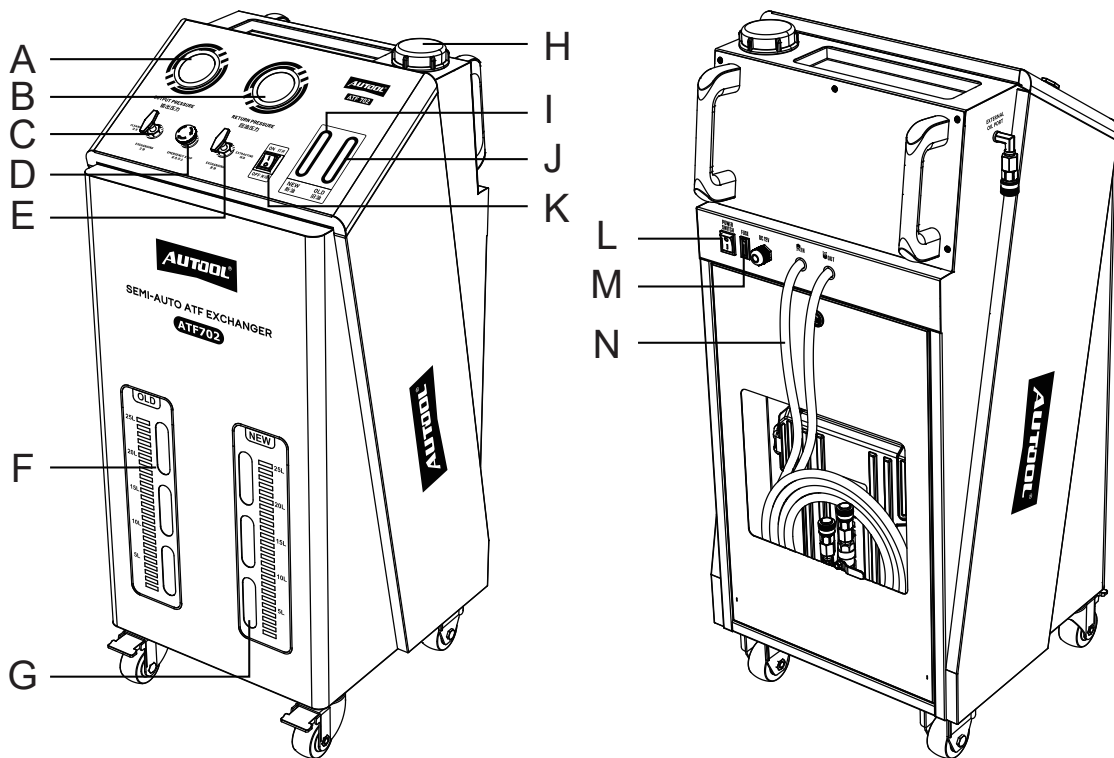
Voltage	DC 12V
Maximum power	<150W
Pressure gauge	10kg/cm²
Outlet hose	2.5m
Oil return hose	2.5m
Oil tank	20L
Equal quantity replacement error	<0.2kg
Noise	<70db
Product size	470x440x1060mm

Features

- Suitable for automatic transmissions in European, American, and Japanese vehicles.
- Without disassembly, it can easily clear metal shavings and sludge inside the transmission.
- Includes a separate Cycly-cleaning function, making maintenance more thorough.
- Mobile design, with a reasonable structure and simple operation.
- Utilizes quick connectors to link with transmission radiator piping, allowing for simple and fast operation.
- Effectively resolves the issue of incomplete transmission fluid replacement.
- Improves the working performance of the transmission.
- Extends the service life of the transmission.

PRODUCT STRUCTURE

Structure diagram



A	Output pressure gauge	B	Return pressure gauge
C	Switch valve 1	D	Emergency stop switch
E	Switch valve 2	F	Used oil tank level
G	New oil tank level	H	New oil inlet
I	New oil window	J	Used oil window
K	Power switch	L	Switch
M	Fuse	N	Connecting pipe

PREPARATION BEFORE OPERATION

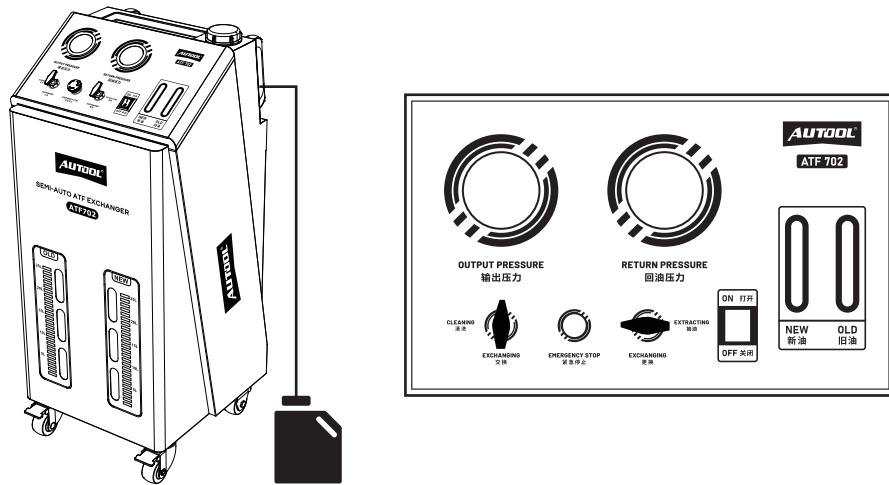
Adding transmission fluid

Method 1

- Add the transmission fluid into the machine's oil inlet.

Method 2

- Insert the transparent connecting pipe into an external new oil tan, turn the left valve to the “Exchanging” position, and the right valve to the “Extracting” position; this will draw the oil from the external new oil tank.

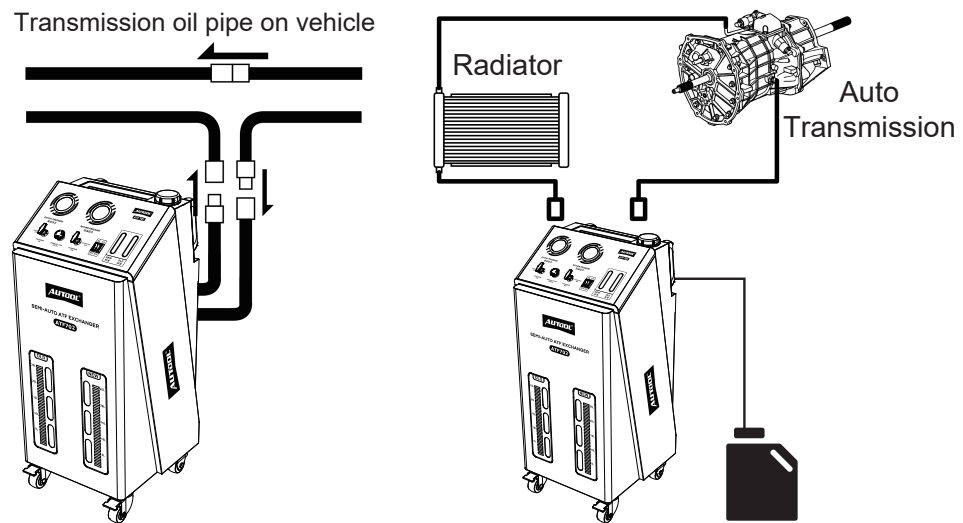


Connect the battery clamps to the car's battery (red clamp to the positive terminal, black clamp to the negative terminal), attach the transparent connecting pipe to the outlet pipe, and turn on the power switch until new oil flows out (this step can bleed the air inside the machine).

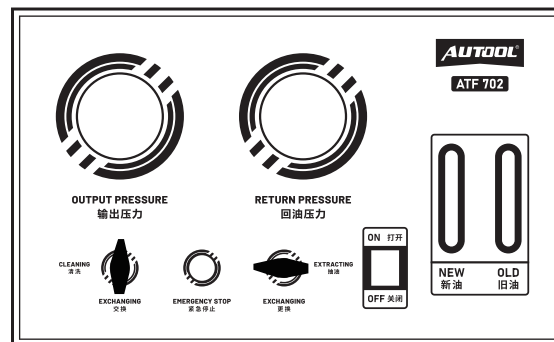
OPERATING STEPS

Cycle cleaning

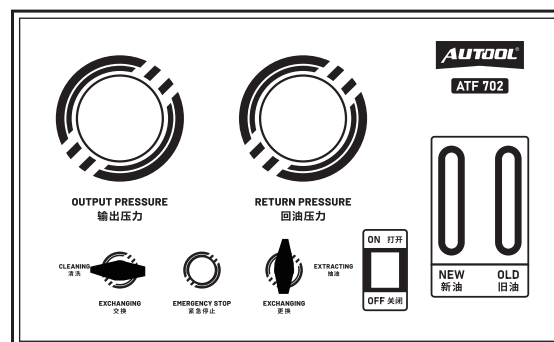
- Ensure the car is in a braking state and safely lift the vehicle.
- Locate the connecting oil pipe between the transmission and the radiator and disconnect one that is easy to remove.
- Choose the corresponding adapter from the adapter box and connect it to the machine's oil pipe (some models may require a special connector).
- Connect the car's oil-outlet end to the machine's left-side “return oil” connector, and the car's oil-inlet end to the machine's right-side “outflow oil” connector (you can briefly start the engine to determine the direction of oil-outlet and oil-inlet).



- Connect one end of the transparent connecting pipe to the external oil inlet on the side of the machine and the other end into the cleaning fluid.
- Turn the left valve to the “Exchanging” position, and the right valve to the “Extracting” position.



- Turn on the power switch; at this point, the cleaning fluid will be drawn into the transmission.
- Once the cleaning fluid has been fully injected, remove the transparent short tube and turn off the power switch. Turn the left valve to the “Clean” position and the right valve to the “Exchanging” position.

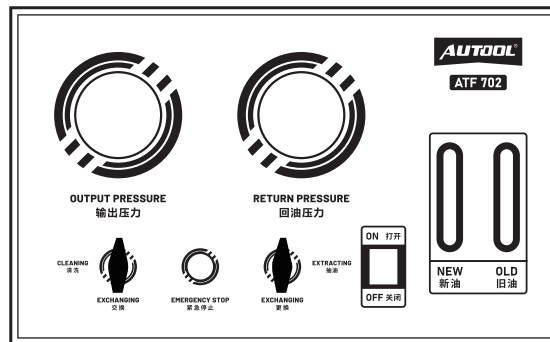


- Start the car’s engine (the equipment’s power does not need to be turned on during cleaning). The machine is now in a Cycle Cleaning state, and

you can observe the oil flow from the new and old oil windows. During the cleaning process, switch between each gear and pause for 5-10 seconds, completing the cleaning in 5 minutes, after which you can turn off the engine.

ATF exchange

- Turn the left valve to the “Exchanging” position and the right valve to the “Exchanging” position. Turn on the machine’s power switch, and start injecting new oil into the transmission. When oil is seen flowing in the new oil window, start the car’s engine, and the automatic transmission will begin the oil change.



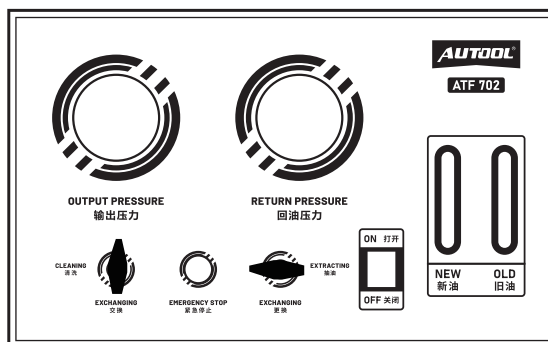
- During the oil exchange process, observe the new and old oil windows. If the flow rate of the new oil is slower than the old oil, use the valve on the return oil pipe to reduce the flow of old oil, to balance the flow rates of the new and old oils.
- During the exchange of new and old oil, each gear should be held for 5-10 seconds.
- Watch the color change in the old oil window. When the color of the transmission fluid in the old oil window changes from murky to the same color as the new oil, the transmission oil change is complete.
- Turn off the car’s engine, restore the transmission oil pipe connection as it was, then restart the engine and switch to “P” (Park) to check the transmission fluid level. If the fluid level is low, add more new transmission fluid and check for any leaks in the pipes. After the fluid level is sufficient, test drive for about a kilometer, then check again (very important).

NOTE

- ▶ Ensure correct connection of the drainage pipe, return pipe, and automatic transmission oil pipe.
- ▶ Check for any leaks in the connections. If there are any leaks, stop the machine and reinstall.

Discharging waste oil

- Turn the left valve to the “Exchanging” position and the right valve to the “Extracting” position.



- Connect one end of the transparent connecting pipe to the main machine’s “external oil suction connector” and the other end to the machine’s return oil pipe.
- Attach the suitable connector to the front end of the outflow pipe; turn on the power switch, and the waste oil will be discharged.

MAINTENANCE SERVICE

Our products are made of long-lasting and durable materials, and we insist on perfect production process. Each product leaves the factory after 35 procedures and 12 times of testing and inspection work, which ensures that each product has excellent quality and performance.

Maintenance

To maintain the performance and appearance of the product, it is recommended that the following product care guidelines be read carefully:

- Be careful not to rub the product against rough surfaces or wear the product, especially the sheet metal housing.
- Please regularly check the product parts that need to be tightened and connected. If found loose, please tighten it in time to ensure the safe operation of the equipment. The external and internal parts of the equipment in contact with various chemical media should be frequently treated with anti-corrosion treatment such as rust removal and painting to improve the corrosion resistance of the equipment and extend its service life.
- Comply with the safe operating procedures and do not overload the equipment. The safety guards of the products are complete and reliable. Unsafe factors are to be eliminated in time. The circuit part should be checked thoroughly and the aging wires should be replaced in time.
- Adjust the clearance of various parts and replace worn (broken) parts. Avoid contact with corrosive liquids.
- When not in use, please store the product in a dry place. Do not store the product in hot, humid, or non-ventilated places.

WARRANTY

From the date of receipt, we provide a three-year warranty for the main unit and all the accessories included are covered by a one-year warranty.

Warranty access

- The repair or replacement of products is determined by the actual breakdown situation of product.
- It is guaranteed that AUTOOL will use brand new component, accessory or device in terms of repair or replacement.
- If the product fails within 90 days after the customer receives it, the buyer should provide both video and picture, and we will bear the shipping cost and provide the accessories for the customer to replace it free of charge. While the product is received for more than 90 days, the customer will bear the appropriate cost and we will provide the parts to the customer for replacement free of charge.

These conditions below shall not be in warranty range

- The product is not purchased through official or authorized channels.
- The product breakdown because the user does not follow product instructions to use or maintain the product.

We AUTOOL pride ourselves on superb design and excellent service. It would be our pleasure to provide you with any further support or services.

Disclaimer

- All information, illustrations, and specifications contained in this manual, AUTOOL reserves the right of modify this manual and the machine itself with no prior notice. The physical appearance and color may differ from what is shown in the manual, please refer to the actual product. Every effort has been made to make all descriptions in the book accurate, but inevitably there are still inaccuracies, if in doubt, please contact your dealer or AUTOOL after-service centre, we are not responsible for any consequences arising from misunderstandings.

RETURN & EXCHANGE SERVICE

Return & Exchange

- If you are an AUTOOL user and are not satisfied with the AUTOOL products purchased from the online authorized shopping platform and offline authorized dealers, you can return the products within seven days from the date of receipt; or you may exchange it for another product of the same value within 30 days from the date of delivery.
- Returned and exchanged products must be in fully saleable condition with documentation of the relevant bill of sale, all relevant accessories and original packaging.
- AUTOOL will inspect the returned items to ensure that they are in good condition and eligible. Any item that does not pass inspection will be returned to you and you will not receive a refund for the item.
- You can exchange the product through the customer service center or AUTOOL authorized distributors; the policy of return and exchange is to return the product from where it was purchased. If there are difficulties or problems with your return or exchange, please contact AUTOOL Customer Service.

China	400-032-0988
Oversea Zone	+86 0755 23304822
E-mail	aftersale@autooltech.com
Facebook	https://www.facebook.com/autool.vip
YouTube	https://www.youtube.com/c/autooltech

目 录

版权信息	13
版权	13
注册商标	13
注意事项	14
安全规程	14
产品简介	15
概述	15
产品规格	15
功能特性	15
产品结构	16
结构图	16
操作前准备	17
加入变速箱油	17
操作步骤	17
循环清洗	17
循环换油	19
排出废油	19
维修保养服务	20
维修保养	20
保修服务	21
保修方式	21
声明	21
退换货服务	22
退换货	22

版权信息

版权

- 版权所有! 未征得深圳市偶然科技有限公司的书面同意, 任何公司或个人不得以任何形式 (电子、机械、影印、录制或其他形式) 对本说明书进行复制和备份。本手册专为偶然公司产品的使用而计, 对于将之用于指导其他设备操作而导致的各种后果, 本公司不承担任何责任。
 - 因使用者个人或第三方的意外事故, 滥用、误用该设备, 擅自更改, 或修理该设备, 或未按偶然公司的操作与保养要求而导致设备损坏、遗失所产生的费用及开支等, 偶然公司及其分支机构不承担任何责任。
 - **正式声明:**
本说明书所提及之其他产品名称, 目的在于说明该设备如何使用, 其注册商标所有权仍属原公司。
 - 本设备供专业技术人员或维修人员使用。
-

注册商标

偶然公司已在中国及海外若干国家进行了商标注册, 其标志为 **AUTOTOOL®**。本手册所提及之偶然公司其它商标、服务标志、域名、图标、公司名称均属偶然及其下属公司之产权。在偶然公司之商标、服务标志、域名、图标、公司名称还未注册之国家, 偶然公司声明其对未注册商标、服务标志、域名、图标、公司名称之所有权。本手册所提及之其它产品及公司名称的商标仍属于原注册公司所有。在未得到拥有人的书面同意之前, 任何人不得使用偶然公司或所提及的其它公司之商标、服务标志、域名、图标、公司名称。

您可以访问偶然网址: www.autooltech.com, 或发送邮件至: aftersale@autooltech.com, 与偶然公司进行联系, 征得其手册使用权之书面同意。

注意事项

安全规程



在使用本仪器之前，请先仔细地通读一遍本手册，熟悉一下产品，避免造成人身伤害和仪器产品损坏事故。

- ▶ 换油前请检查油箱。避免在没有足够变速箱油或使用劣质变速箱油的情况下进行工作。
- ▶ 所有软管避免接触车辆发热部件和旋转部件，如：冷却风扇、散热器等。
- ▶ 除了变速箱油以外的其他油，禁止加入到设备。
- ▶ 设备运行时须放于水平位置运行，以防止设备油泵吸不干净油箱内的油。
- ▶ 机器工作时，操作员必须时刻看着机器，并及时进行相应的操作。
- ▶ 如果长时间不使用机器，应切断电源。

产品简介

概述

- AUTOOL ATF702自动变速箱油更换机操作简单、方便，20分钟即可完成变速箱、液力变矩器、变速箱散热器的清洗和重新加注新油，使得新旧油更换更彻底；同时能彻底去除金属碎屑、油泥杂质，换油率可达90%以上，使变速箱永保如“新”，达到真正养护变速箱的目的。

产品规格

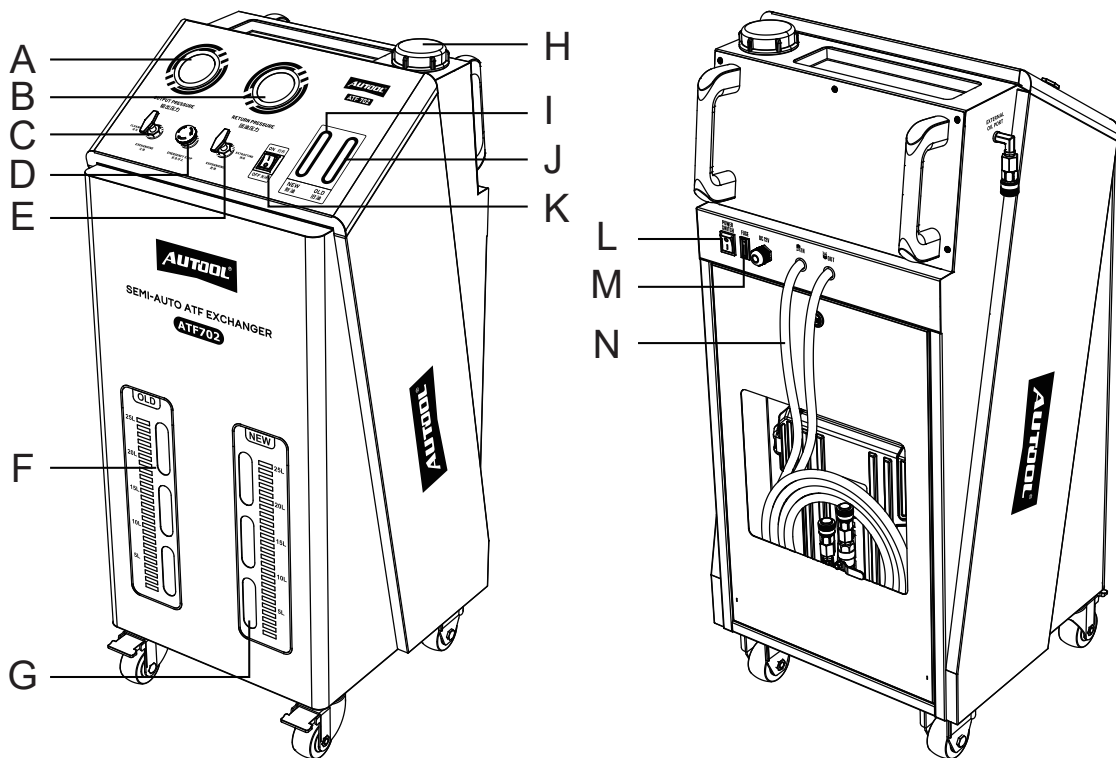
电压	DC 12V
最大功率	<150W
压力表	10kg/cm ²
出油管	2.5m
回油管	2.5m
油箱	20L
等量更换误差	<0.2kg
噪音	<70db
产品尺寸	470x440x1060mm

功能特性

- 适用于欧、美、日生产的各类型自动变速箱；
- 无需解体，可轻松清除变速箱内部的金属碎屑和油泥；
- 附带单独的循环清洗功能，使保养更加彻底；
- 移动式设计，结构合理操作简便；
- 采用快速接头与变速箱散热器管路连接，操作简单、迅速；
- 有效解决更换变速箱油不彻底的问题；
- 改善变速箱的工作性能；
- 延长变速箱的使用寿命。

产品结构

结构图



A	出油压力表	B	回油压力表
C	清洗/换油切换阀 (阀1)	D	紧急停机开关
E	抽油/换油切换阀 (阀2)	F	旧油液位视窗
G	新油液位视窗	H	新油加注口
I	新油视窗	J	旧油视窗
K	油泵开关	L	主电源开关
M	保险丝	N	变速箱连接管

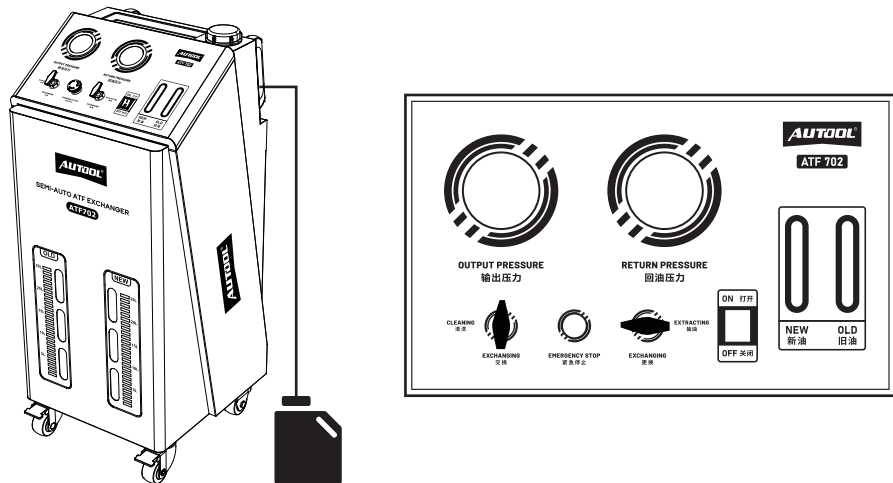
操作前准备

加入变速箱油 方法一

- 往机器加油口倒入变速箱油。

方法二

- 将透明连接管插入外部新油桶中，将左侧阀门转到“交换”位置，右侧阀门转到“抽油”位置；可吸取外部新油桶内的油。

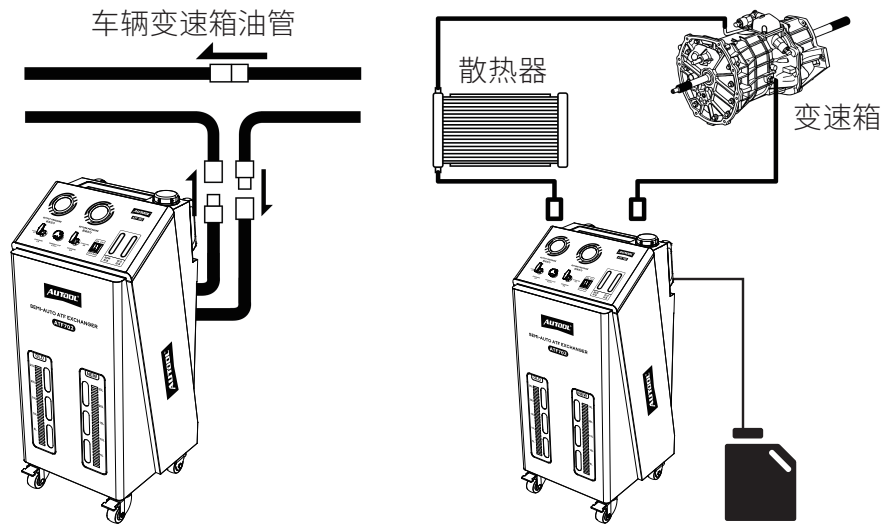


用电夹连接汽车蓄电池（红色电夹连接正极，黑色电夹连接负极），将透明连接管连接出油管，开启电源开关，直至有新油流出(此步骤可以排出机器内部空气)。

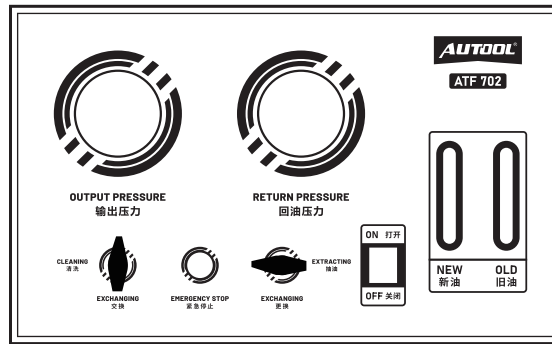
操作步骤

循环清洗

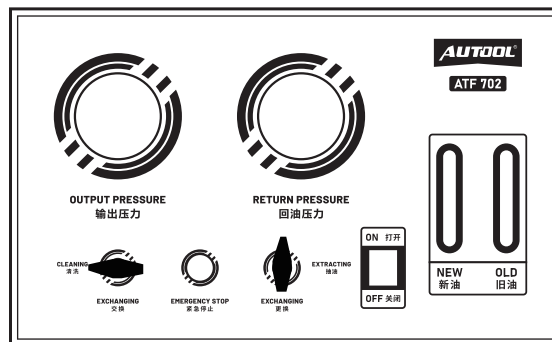
- 确保汽车处于制动状态，并安全举升汽车；
- 找出变速箱与散热器的连接油管，选容易拆开的一条拆开；
- 从适配接头箱中选择对应接头，连接到机器油管上，（某些车型可能需要使用专用接头进行连接）；
- 把汽车的出油端与本机左侧“回油”管接头相连，将汽车入油端与本机右侧“出油”管接头相连；（可以通过短暂启动发动机，判断两端出油与入油方向）；



- 将透明连接管一端连接到机器侧面的外部进油口。另一端插入清洗液中;
- 将左侧阀门转到“交换”位置, 右侧阀门转到“抽油”位置;



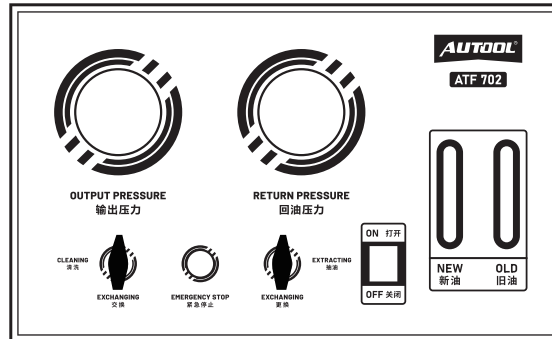
- 开启电源开关, 此时清洗液被抽到变速箱内;
- 待清洗液完全打入后, 拆下透明短管。关闭电源开关。将左侧阀门转到“清洗”位置, 右侧阀门转到“更换”位置;



- 启动汽车发动机 (清洗时设备电源不用打开), 此时本机处于循环清洗状态, 可从新旧油视窗观察到油的流动。在清洗过程中, 每个档位循环切换停留 5-10秒, 5分钟后完成清洗, 可以关闭发动机。

变速箱油更换

- 将左侧阀门转到“交换”位置，右侧阀门转到“更换”位置。开启本机电源开关，此时开始向变速箱内注新油，待新油视窗有油流动时启动汽车发动机，自动变速箱开始换油；



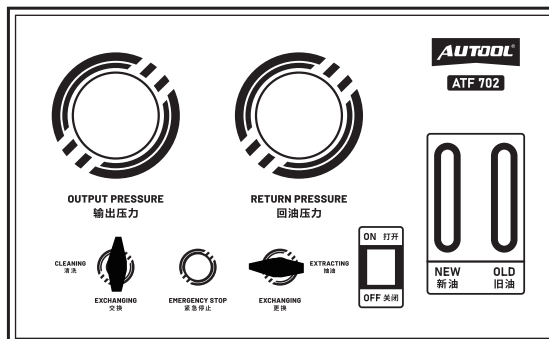
- 在换油过程中，观察新油视窗和旧油视窗，如果新油的流动速度比旧油慢，
- 请使用回油管上的阀门来减少旧油的流量，以平衡新油和旧油的流速；
- 在新旧油交换过程中，每个档位需要停留5-10秒；
- 注意观察旧油视窗的变速箱油颜色的变化，当旧油视窗内变速箱油的颜色由污浊转变到与新油同一颜色时，表示变速箱换油工作完成；
- 关闭汽车发动机，按原样恢复连接变速箱油管，然后重新启动发动机，切换到P档后检查变速箱油量。如果油量不足，请补充新的变速箱油，并注意检查管路是否漏油。油量足够后，试驾约一公里，然后再次检查（非常重要）。

⚠ 注意

- ▶ 注意排油管，回油管与自动变速箱油管的正确连接方法。
- ▶ 注意各接头是否泄漏。如果有任何泄漏，请停止机器并重新安装。

排出废油

- 将左侧阀门转到“交换”位置，右侧阀门转到“抽油”位置。



- 将透明连接管，一端连接主机侧面的“外部吸油接头”，另一端连接机器回油管；
- 在出油管前端接上适配接头；打开电源开关，即可排出废油。

维修保养服务

您所拥有的AUTOOL产品选用持久耐用的材料，AUTOOL坚持精益求精的生产工艺，每一件产品出厂都经过35道工序及12次质检工作，从而确保每一件产品都拥有卓越的品质及性能。所以您的AUTOOL产品值得您定期维护保养，使其产品将能够长期稳定地工作。

维修保养

维护保养是为了保持产品性能和外观，我们建议您仔细阅读以下产品保养指南：

- 注意不要将产品与粗糙表面摩擦或揉搓产品，特别是钣金外壳。
- 对产品中需要紧固和连接的部位经常进行检查，如发现松动应及时紧固，以保证产品的安全运行。对与各种化学介质接触的产品外部和内部零件要经常进行除锈、喷漆等防腐处理，以提高产品的抗腐蚀能力，延长产品的使用寿命。
- 遵守安全操作规程，不超负荷使用产品。产品的安全防护装置齐全可靠，及时消除不安全因素。电路部分彻底检查，老化电线要及时更换。
- 定期清洗和更换易耗部件；调整各部位配合间隙和更换磨损（已坏）部件清洁时，避免产品接触带腐蚀性的液态物品。
- 不使用时，请将产品存放于干燥的位置。不要将产品存放在高温、潮湿或不通风的地方。

保修服务

AUTOOL主机自客户签收日起享有3年保修期。其所含附件自客户签收日起享有1年保修期。

保修方式

- 根据具体的故障情况对产品进行免费修理或更换；
- 我方保证所有更换的部件、附件或产品都是全新；
- 在客户收到产品90天内出现故障同时提供视频和图片，我方承担运费并免费提供相应配件给客户更换。收到产品超过90天，客户承担相应的费用，我方免费提供配件给客户更换；

以下情况不在免费保修范围：

- 非正规渠道购买AUTOOL的产品；
 - 未按产品说明书要求使用和维护造成的损坏；
-

在AUTOOL，我们为精湛的设计和卓越的服务感到自豪。我们很乐意为您提供更多的支持或服务。

声明

- 偶然公司保留更改产品设计与规格的权利，届时恕不另行通知。实物外观与颜色可能与说明书中显示的有差别，请以实物为准。我们已尽最大努力力求使书中所有描述准确，但仍难免有不妥之处。如有疑问，请联系经销商或偶然售后服务中心。本公司对产品拥有最终解释权，不承担任何因误解而产生的后果。

退换货服务

退换货

- 如果您对从线上授权购物平台和线下授权经销商所购买的AUTOOL产品不满意, 根据《AUTOOL全球销售条款》, 您可以自收到产品之日起七日内退货; 或者在产品交付之日起的30日内调换等值的其他产品。
- 退回及调换的产品必须处于完全可销售状态, 并附上相关销售单单据, 所有相关配件、纸质发票 (如有)。
- AUTOOL将会对寄回退货的商品进行检查, 以确保其处于完好无损的状态并且符合条件, 相关条件详情请参阅《AUTOOL全球销售条款》。任何未通过检查的商品将退还给您, 您将不会获得商品退款。
- 您可以通过客户服务中心或AUTOOL授权经销商调换产品; 退换货原则为从哪里购买, 就从哪里退换货。如果您退换货遇见困难或者阻碍, 请联系AUTOOL客户服务中心。通过客户服务中心退换货时, 我们建议您通过下面的方式进行:

中国区域致电	400-032-0988 / 18929303778
售后微信号	18929303778
海外区域致电	+86 0755 23304822
E-mail	aftersale@autooltech.com
Facebook	https://www.facebook.com/autool.vip
YouTube	https://www.youtube.com/c/autooltech

- 如您的退换货得到确认, 您将收到确认信息和邮件。